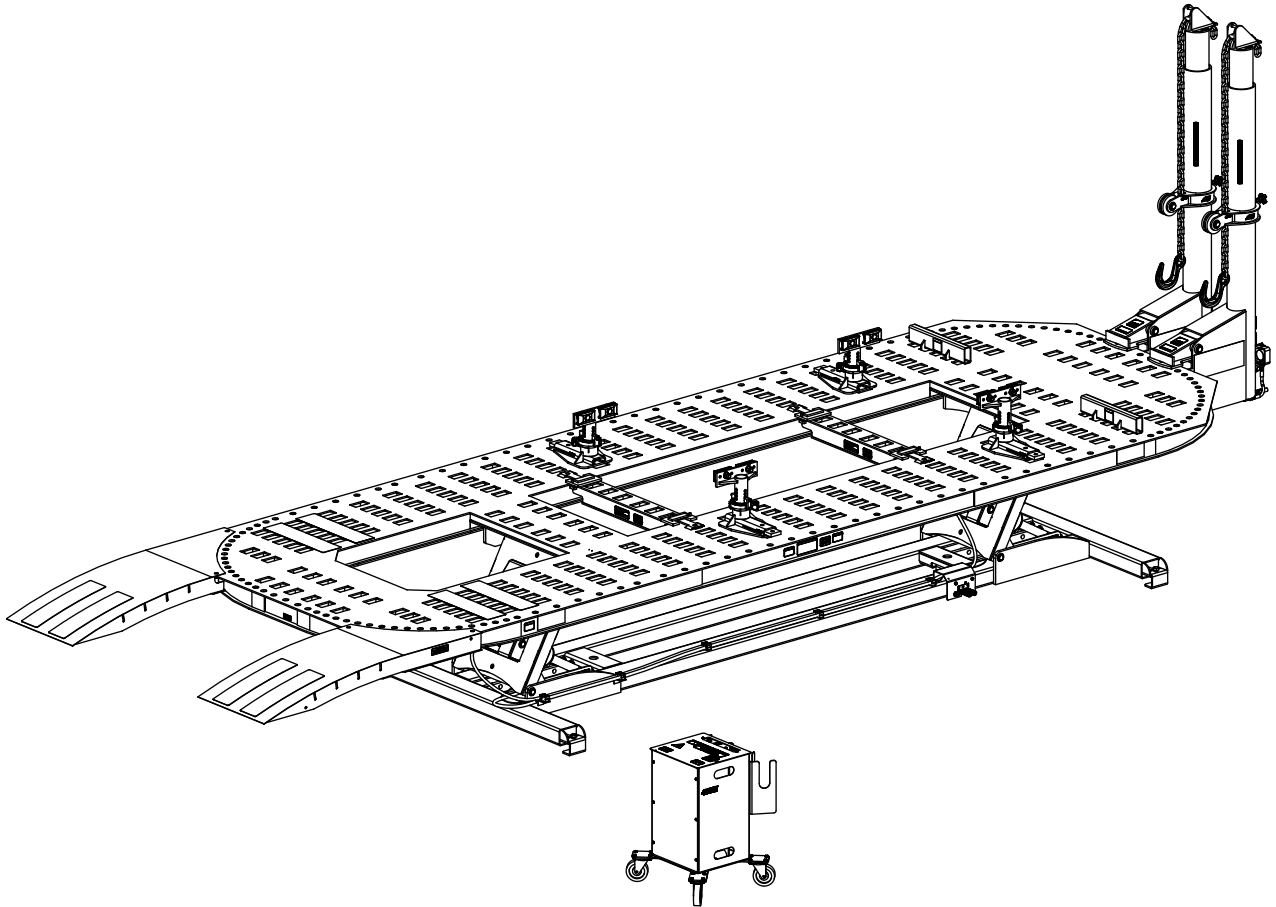


GOLIATH



PARTS MANUAL



CHIEF'S LIMITED ONE-YEAR WARRANTY & LIABILITY

Chief Automotive Technologies warrants for one year from date of installation and/or purchase any components of its GOLIATH Repair System which do not perform satisfactorily due to defect caused by faulty material or workmanship. Chief's obligation under this warranty is limited to the repair or replacement of products which are defective and which have not been misused, carelessly handled, or defaced by repair or repairs made or attempted by others.


CHIEF AUTOMOTIVE TECHNOLOGIES DOES NOT ASSUME RESPONSIBILITY FOR ANY DEATH, INJURY OR PROPERTY DAMAGE RESULTING FROM THE OPERATOR'S NEGLIGENCE OR MISUSE OF THIS PRODUCT OR ITS ATTACHMENTS. CHIEF MAKES NO WRITTEN, EXPRESS OR IMPLIED WARRANTY WHATSOEVER OF MERCHANTABILITY OR FITNESS FOR A PARTICULAR PURPOSE OR OTHERWISE REGARDING THE EQUIPMENT OR ANY PART OF THE PRODUCT OTHER THAN THE LIMITED ONE-YEAR WARRANTY STATED ABOVE.

PARTS INFORMATION

To order replacement parts for the Chief GOLIATH, contact an authorized representative of Chief Automotive Technologies, 800-445-9262. The parts listed in the GOLIATH Parts Manual (Part No. 451003) represent what Chief Automotive Technologies considers to be user installed. Other repairs should be deferred to an authorized representative.

When contacting Chief Automotive Technologies by telephone or mail, provide the following information: name, name of business, business telephone number, and business address. Additional information needed when ordering: description of part(s) and part number(s). Also indicate the model for which the part is intended.

NOTE: Chief reserves the right to alter product specifications and/or package components without notice.

 **CAUTION:** Always use Chief Automotive Technologies authorized replacement parts with the GOLIATH. When replacing any part make certain the part meets the original equipment requirements.

Electrical Components

All electrical cords and components must be replaced with Chief Automotive Technologies authorized replacement parts.

Hydraulic Hoses

The two wire hoses furnished with this product meet the requirements of SAE 100R2 or SAE 100R16, and have a working pressure of 5,000 psi. They should not be used with any other system having a higher than 5,000 psi output.

All hydraulic components must be replaced with Chief Automotive Technologies authorized replacement parts.

Bolts/Fasteners

All bolts and fasteners must be replaced with Chief Automotive Technologies authorized replacement parts and must not be less than Grade 5 (Class 8.8).

Any bolt used in a pulling clamp that is frequently tightened must be Grade 8 (Class 10.9).

All bolts lengths and diameters must be equal to those installed at the factory.

Chain

The 1/2 inch tower chains furnished with this product are a special alloy frame straightening chain designed exclusively for Chief Automotive Technologies to meet the rigid requirements of the collision repair industry. If replacement is required, purchase only the original Chief product from an authorized Chief Automotive Technologies representative.

The auxiliary 3/8 inch chains available for this product are a special alloy frame straightening chain designed exclusively for Chief Automotive Technologies to meet the rigid requirements of the collision repair industry. If replacement is required, purchase only the Chief product from an authorized Chief Automotive Technologies representative.

 **CAUTION:** DO NOT use 3/8 inch chain on any towers.

Labels

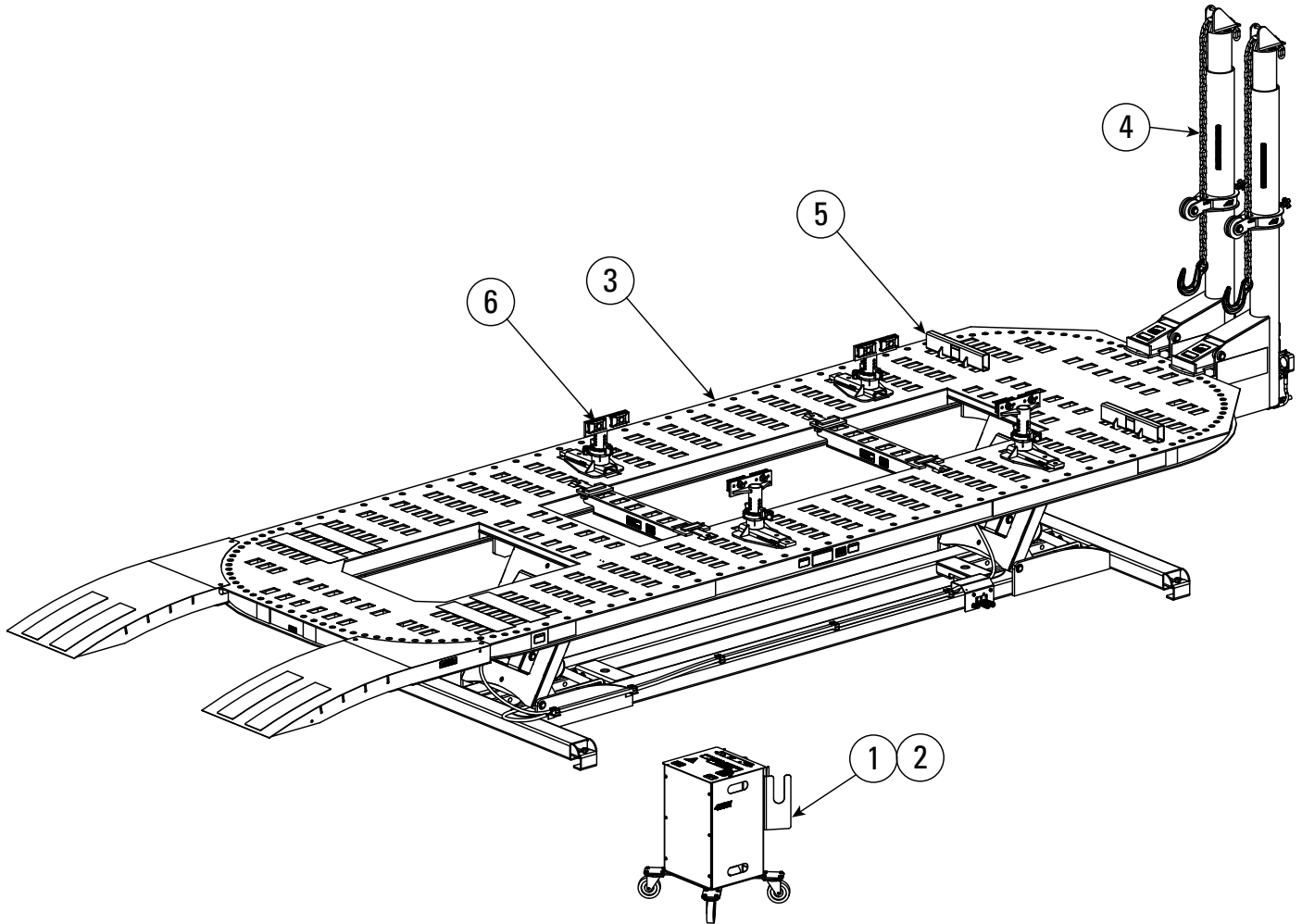
Replacement SAFETY and WARNING labels are available in several languages, and may be ordered by contacting an authorized Chief Automotive Technologies representative.

Goliath Model #'s:

PARTS LIST		
PART NUMBER	DESCRIPTION	INPUT VOLTAGE SPECS
451320	Goliath 20 Series	115VAC 50/60 HZ Single Phase
451330	Goliath 30 Series	115VAC 50/60 HZ Single Phase
451340	Goliath 40 Series	115VAC 50/60 HZ Single Phase
451420	Goliath 20 Series	208VAC 50/60 HZ Single Phase
451430	Goliath 30 Series	208VAC 50/60 HZ Single Phase
451440	Goliath 40 Series	208VAC 50/60 HZ Single Phase

Notes:

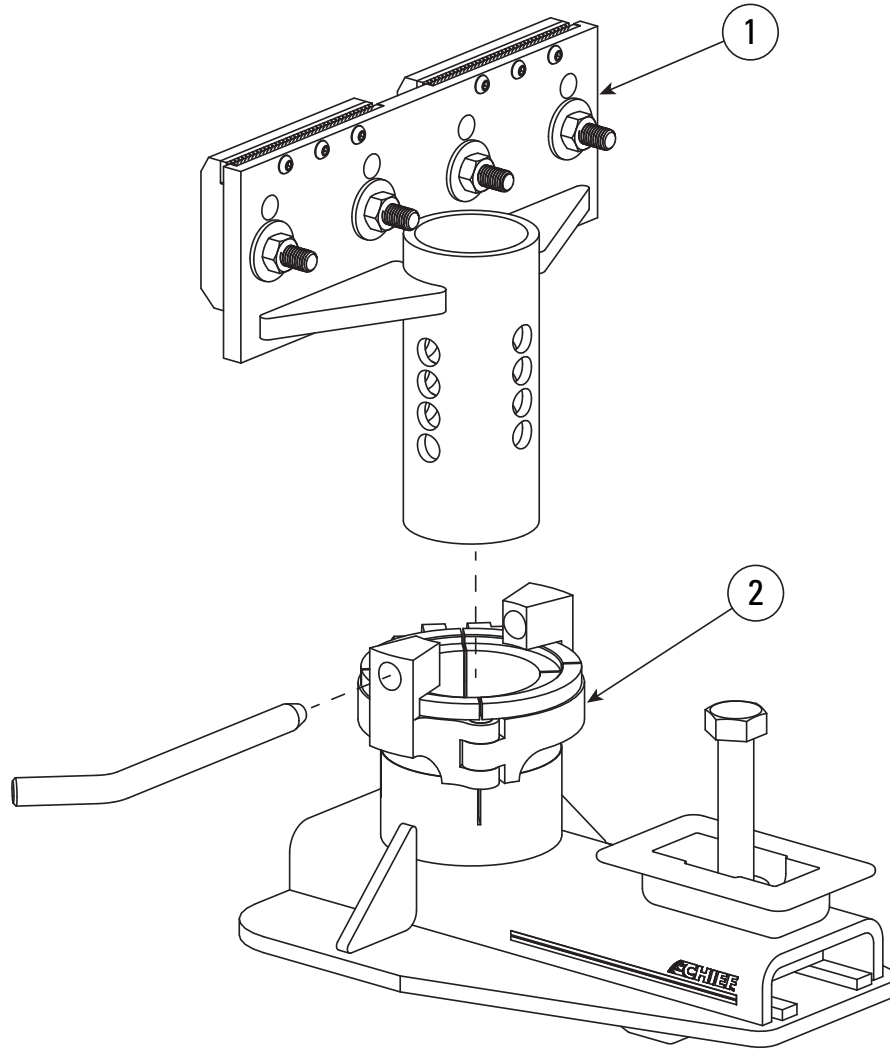
- 20 Series = 2 towers; 30 Series = 3 towers; 40 Series = 4 towers
- The only differences between model #'s are the quantity of towers and the pump cabinet.
- 115VAC models use pump cabinet p/n 451180
- 208VAC models use pump cabinet p/n 451186



PARTS LIST

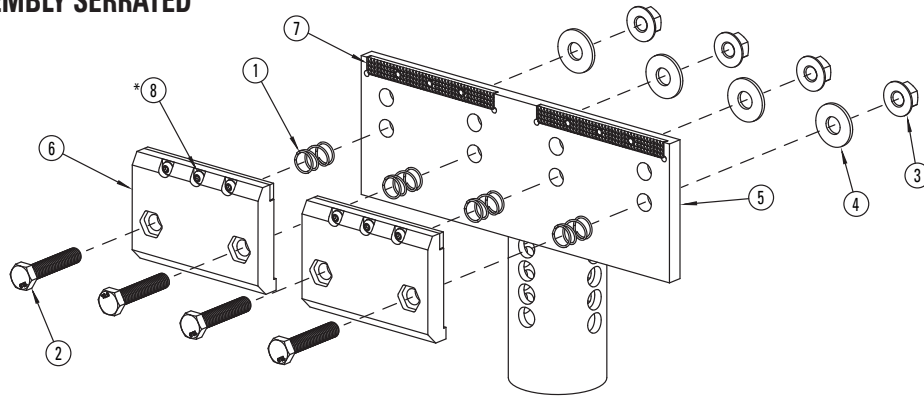
ITEM	P/N*	DESCRIPTION
1	451180	Goliath Pump Cabinet, 115VAC 50/60HZ Single Phase
2	457186	Goliath Pump Cabinet, 208VAC 50/60HZ Single Phase
3	451089	Goliath Cross-Member Assembly
4	451100	Goliath 10-Ton Tower
5	648880	Wheel Chock
6	CK110021	Serrated Anchor Stand

UNIVERSAL ANCHOR STAND



PARTS LIST		
ITEM	P/N*	DESCRIPTION
1	CK110017	UAS Assembly, Serrated
2	702082	Universal Anchoring System Metric (Short)

CK110017
UAS ASSEMBLY SERRATED

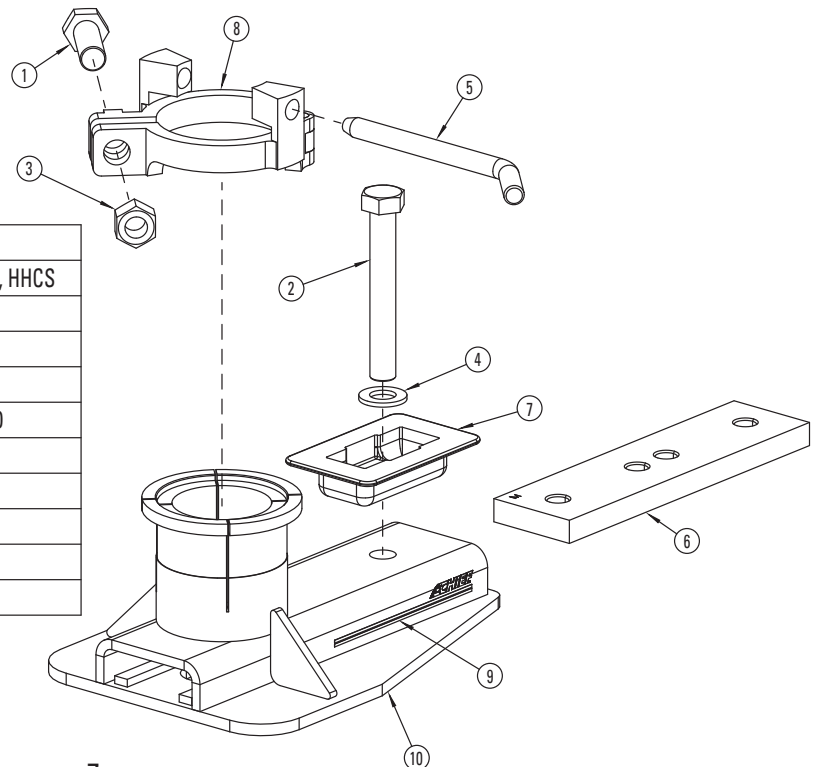


ITEM	QTY	PART NO.	DESCRIPTION
1	4	092110	SPRING, COMPRESSION .720" X 1"
2	4	539002	M12 X 1.75MM X 60MM HHCS Grd. 10.9
3	4	CK130190	M12 X 1.75 HEX FLANGE NUT, CLASS 10, ZINC PLATED
4	4	912605	1/2" FLAT WASHER
5	1	CK110018	ADAPTER TUBE ASSEMBLY UAS SERRATED
6	2	CK110020	SERRATED JAW ASSEMBLY
7	4	CK130009	SERRATED JAW INSERT
8	12	*CK130008	BUTTON-HEAD SOCKET C.S. M6 X 1.0 X 14MM LONG

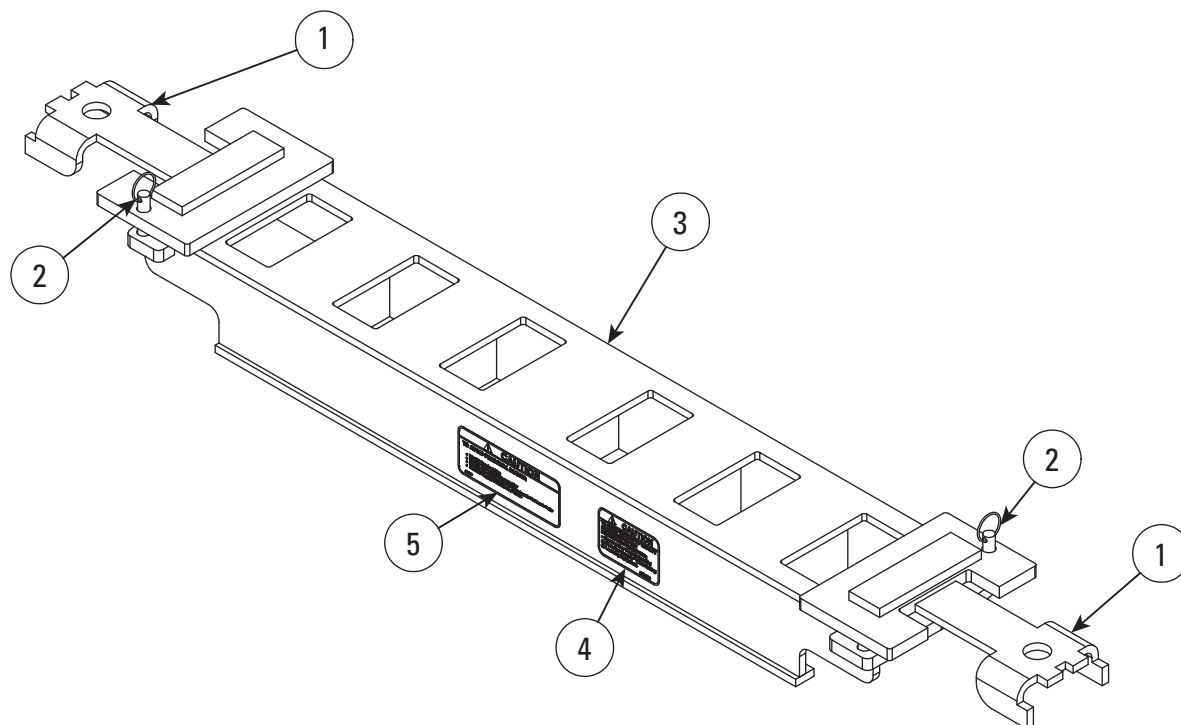
*NOTE:
1. APPLY THREAD LOCKER #242 OR EQUAL
TO EACH SCREW AND TIGHTEN.

702082
UNIVERSAL ANCHORING SYSTEM
METRIC SHORT

ITEM	QTY	PART NO.	DESCRIPTION
1	1	539006	BOLT, HEX, M20 X 2.5 X 60MM, PLATED, HHCS
2	1	539008	BOLT, HEX, M20 X 2.5 X 140MM
3	1	539016	M20 X 2.5 HEX NUT, PLAIN
4	1	601738	3/4" FLAT WASHER, PLTD
5	1	606686	HEIGHT ADJUSTING PIN, UAS, PLATED
6	1	606860	FASTENER BAR, UAS METRIC
7	1	607371	FASTENER PLATE, UAS
8	1	607381	LOCKING COLLAR ASS'Y
9	2	621472	DECAL, CHIEF W/STRIPES
10	1	702067	UNI-BODY STAND ASSEMBLY

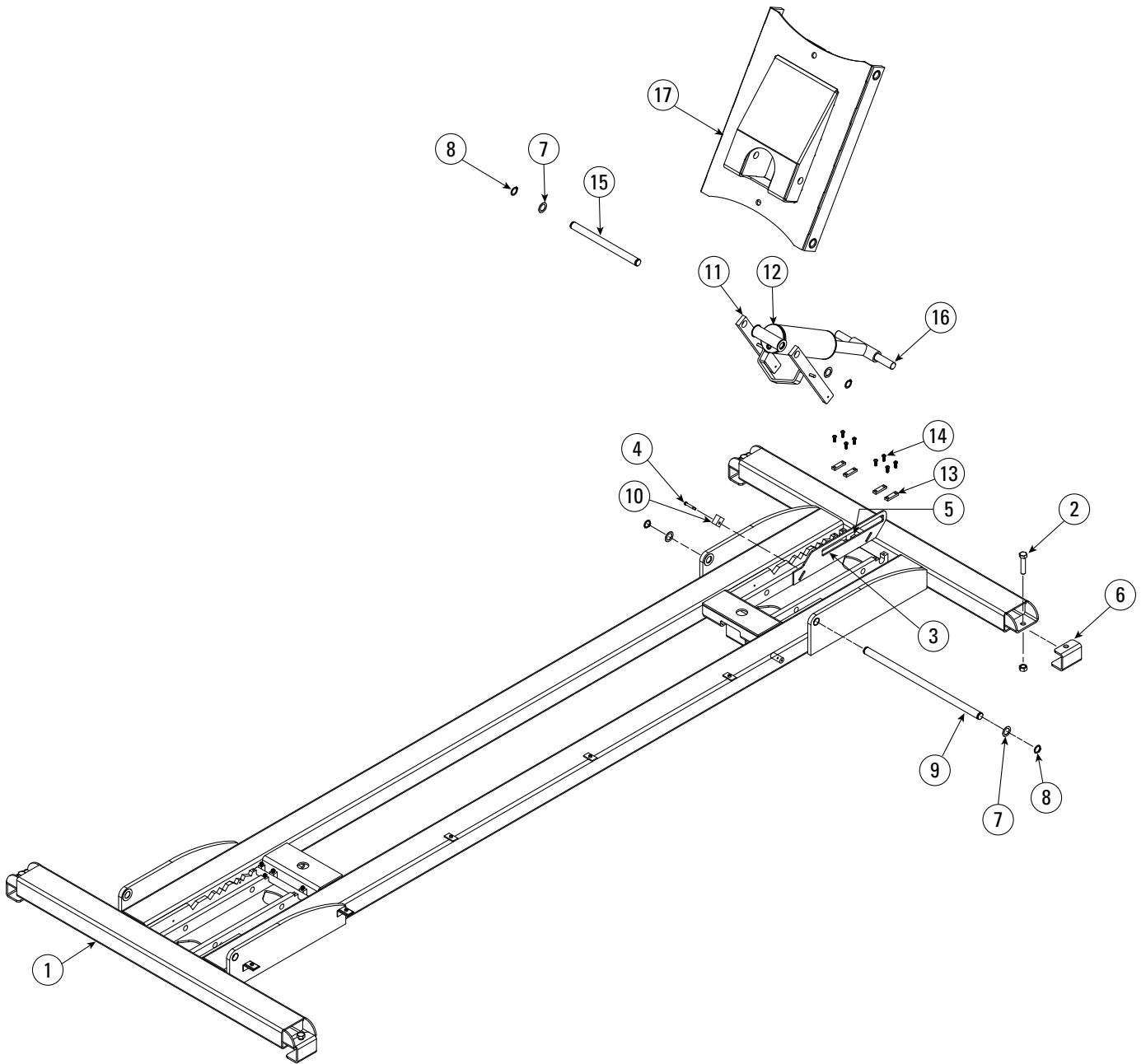


GOLIATH CROSS-MEMBER ASSEMBLY



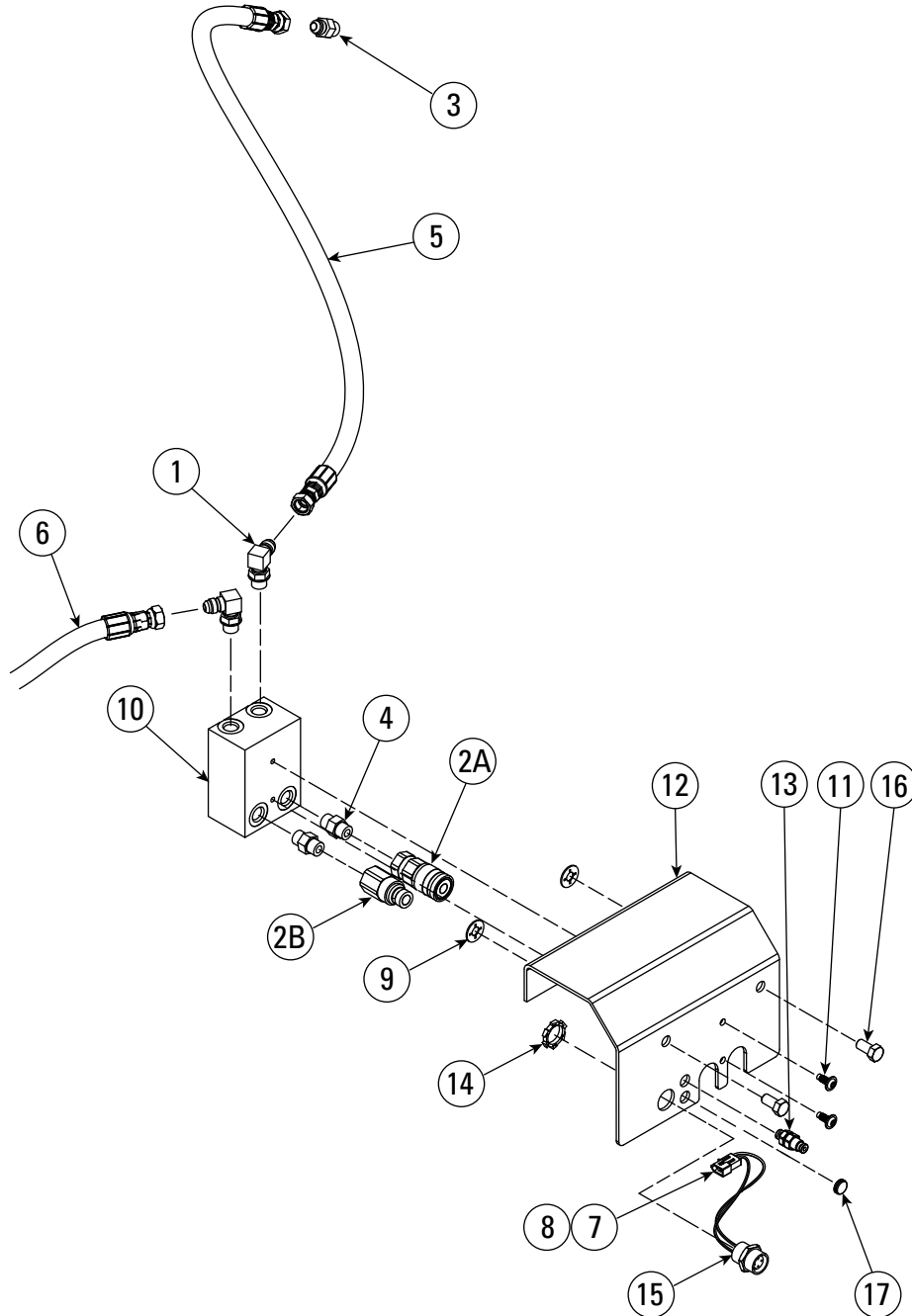
PARTS LIST		
ITEM	P/N*	DESCRIPTION
1	451148	Crossmember Lock, Goliath
2	450267	Pin, Crossmember Lock
3	450535	Weldment, Wide Impulse Crossmember
4	692054	Label Caution Crossmember Position
5	692092	Label, Caution Crossmember, Personal Injury

EXPLODED VIEW MAINFRAME / PORTA-FRAME



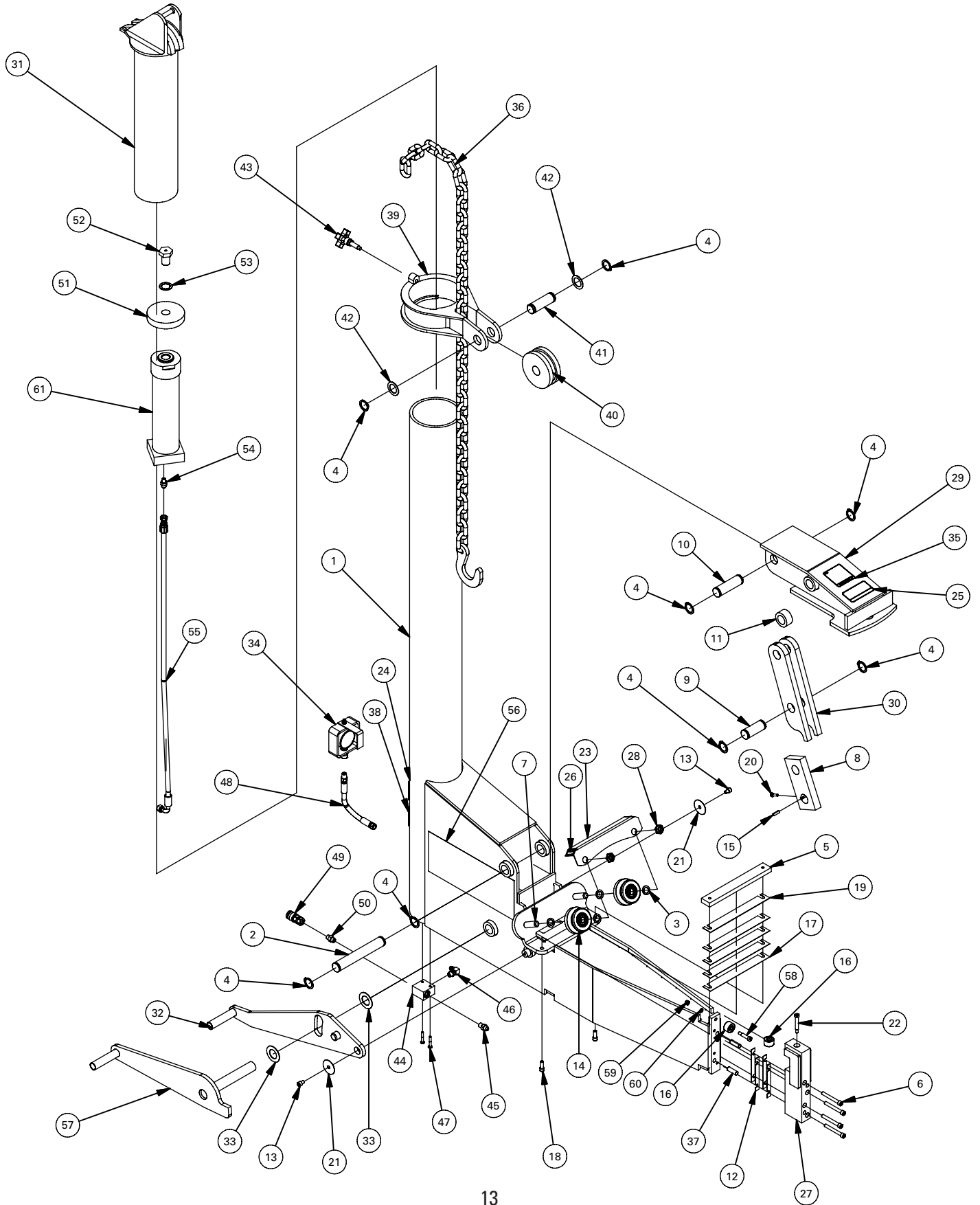
Parts List		
ITEM	P/N	DESCRIPTION
1	451050	Weldment, Goliath Porta-Frame
2	539013	Bolt, M20 x 2.5 x 90 Hex Full Thread
3	450865	Weldment, Impulse VHT Unlock
4	450867	Bolt, 3/8" x 1 3/4" Shoulder - 5/16-18 Thread
5	632286	Bolt, 3/8" x 3/8" Shoulder - 5/16-18 Thread
6	451019	Formed Channel, Goliath Level Pad
7	707487	Washer, Flat - 1.25"IDx1.875"ODx14GA-plated
8	693468	Snap Ring, HD for 1 1/4" shaft
9	451014	Pin, Goliath Tilt
10	450443	Rod Eye, Impulse VHT Unlock
11	451095	Weldment, Goliath Lock Arm
12	451018	Goliath Lift Ram Assembly
13	450587	Retainer, E/VHT Lift Cylinder Bottom
14	450195	Screw, 3/8-16NC x 1.00" Socket Head Cap
15	451015	Pin, Goliath Lift Cylinder Top
16	451017	Pin, Goliath Lift Cylinder Bottom
17	451080	Weldment, Goliath Lift Leg

EXPLODED PORTA-FRAME PANEL ASSEMBLY



Parts List		
ITEM	P/N	DESCRIPTION
1	305720	Fitting, Hyd #6MBX - #MJ
2A	305723	Coupler, Female Flat Face
2B	305722	Coupler, Male Flat Face
3	305724	Fitting, Hyd #6MB - #6MJ w/ Orifice
4	305726	Fitting, Hyd #6MB - #6MB
5	305741	Hydraulic Hose, 35" Long, 6FJX Fittings
6	305753	Hydraulic Hose, 1/4" ID x 162" w/ #6FJX Fittings
7	450087	Connector Plug 2-Position, Natural Color
8	450096	Connector Terminal, Male. 14-20AWG TIN
9	450110	3/8" Bolt Size Self Retaining Washer
10	450440	Assembly, E/VHT Porta-Frame Manifold
11	450459	Screw, 1/4-20 x 3/4" Button Head Torx Plus
12	450491	Panel, E/VHT Port-Frame
13	450951	Bulkhead Fitting, 5/32 PTL
14	450979	1/2 Conduit Lock, Tooth Nut
15	620242	Pig-Tail, Female Mini-Line Cord
16	692588	Bolt, 3/8-16 UNC x 3/4 Grade 5 Plated
17	FA7958-9	1/2" Hole Plug

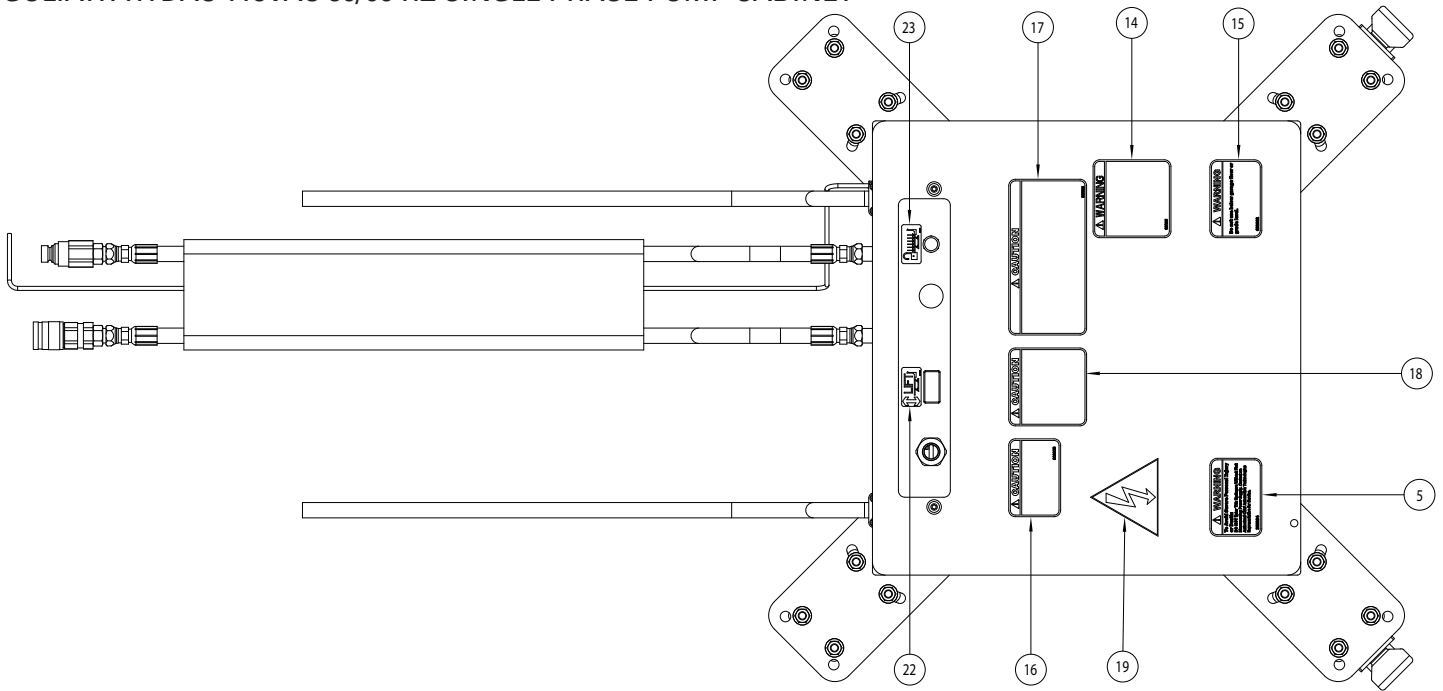
GOLIATH 360 - 10 TON TOWER



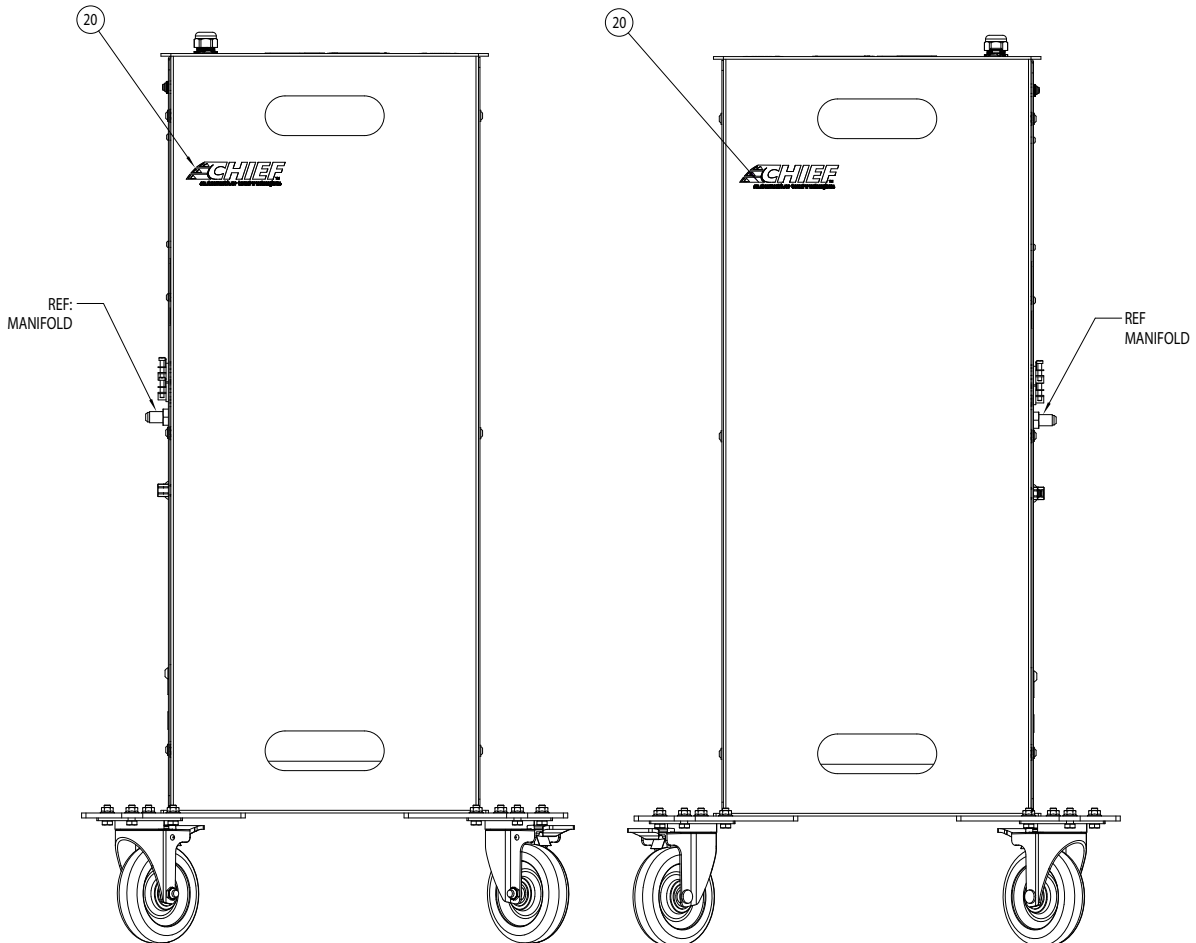
Parts List		
ITEM	P/N	DESCRIPTION
1	687110	Weldment, 360-10 Ton Tower
2	687102	Pin, 360-10 Ton Tower Linkage Long
3	305063	Washer, 3/4" ID x 1 1/8" OD x .093" Thick Shim
4	693468	Snap Ring, HD for 1 1/4" shaft
5	687101	Spacer, 360-10 Ton Tower Outrigger
6	450236	SCREW, 3/8-16NC X 3" SHCS
7	629773	Bolt, 3/4-10 NC x 2 3/4" Long
8	450279	Bar, Tower Linkage Driver
9	687104	Pin, 360-10 Ton Tower Linkage Short
10	687103	Pin, 360-10 Ton Tower Linkage Medium
11	450234	Spacer, Tower Force Clamp
12	450238	Shim, 360 Tower - 16 ga.
13	450243	Screw, 3/8-16 Socket Head Cap
14	450235	Assembly, Tower Outside Wheel
15	450244	Key, 1/4 x 1/4 x 1"
16	450146	Roller, Inside Tower
17	687107	Shim, 360-10 Ton Tower Outrigger .0164"
18	450195	Screw, 3/8-16NC x 1.00" Socket Head Cap
19	687106	Shim, 360-10 Ton Tower Outrigger .0598"
20	630635	Bolt, 1/4-20 x 1 Hex
21	450241	Washer, 2" OD x 13/32" ID x .047" Thick
22	450227	Bolt, 3/8" x 2" Shoulder - 5/16-18 Thread
23	638321	Guard, Fuzion Tower, Outside Roller
24	693337	Label, Warning, Do Not Position Yourself
25	692091	Label, Warning, Force Clamp, Impulse
26	692093	Label, Caution, Pinch-Point, Impulse
27	CK120090	HOOK, 360 TOWER
28	770016	NUT, 3/4-10NC LOCK JAM GR5 PL
29	687125	Weldment, 360-10 Ton Sure Lock
30	687105	Bar, 36010 Ton Tower Float Linkage
31	610001	Tower Head, 1/2" Chain 10-Ton
32	687137	Weldment, 360-10 Ton Sure Lock Release
33	305030	Washer, Thrust-1.25" IDx2.25" ODx.0625"
34	601130	Portable Gauge Assembly, Fron S21
35	692096	LABEL, CAUTION CROSSMEMBER POSITION
36	602870	Chain, Tower, w/Hook, 1/2" x 12'
37	450259	Dowel Pin, .5001-.5003 Dia. x 1.5"
38	692057	DECAL, CAUTION ON ANGLE PULLS
39	607161	Machined Collar, S21
40	601201	Roller 5" x 1/2" Chain - S21/POSI TRACK Collar
41	680747	Pin, Grooved for Cast Collar
42	707487	Washer, Flat-1.25" IDx1.875" ODx14GA-plated
43	602829	Assembly, Tower Collar Locking Knob
44	450592	Block, Tower Manifold

Parts List		
ITEM	P/N	DESCRIPTION
45	601046	Straight Adapter, 6400-6-6
46	305720	Fitting, Hyd #6MBX - #6MJ
47	630643	Bolt, 1/4-20NC x 1 1/2 Hex Plated Gr. 2
48	450594	Hose, -6FJX to 6MPX x 10" x 1/4" ID
49	305723	Coupler, Female Flat Face
50	305726	Fitting, Hyd #6MB - #6MB
51	601237	Flange, 4 3/4" Diameter
52	602619	Ram Bolt
53	770147	Washer, 1" Internal Tooth Lock
54	601048	Straight Adapter, 6400-6-4
55	450593	Hose, 53" x 3/8" ID -6FJX to -6FJX90M
56	451101	DECAL, TOWER, 6 X 14 GOLIATH
57	687143	Weldment, Wide Sure Lock Shaft
58	450283	Bolt, 3/8" x 1.25" SHOULDER, 5/16-18THD
59	450282	LOCK NUT, 5/16-18THD NYLON LOCK INSERT
60	450284	WASHER, FLAT 5/16" TRIMMED
61	450471	Assembly, eVHT Tower Cylinder (Global)

GOLIATH HYDAC 115VAC 50/60 HZ SINGLE PHASE PUMP CABINET

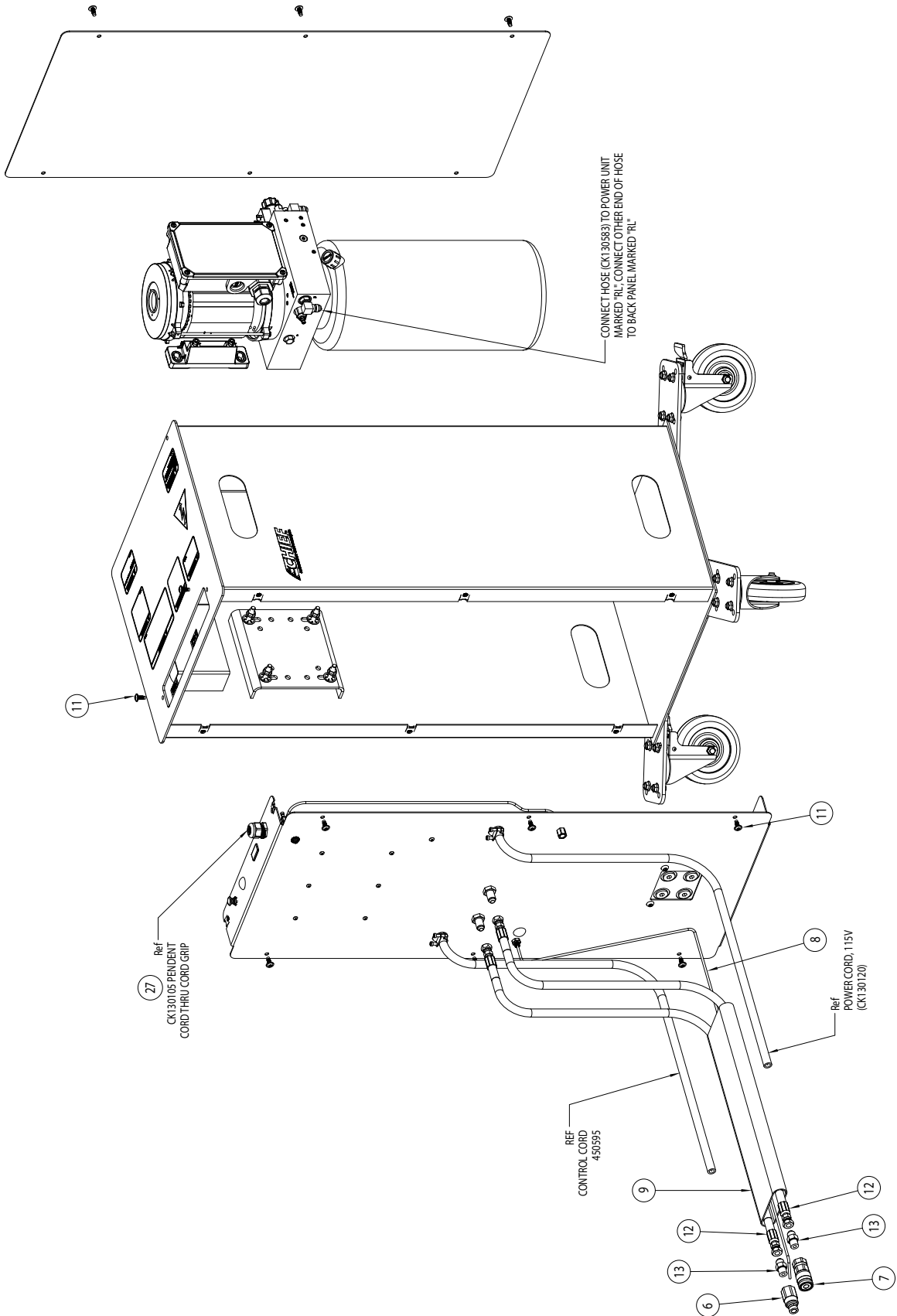


TOP VIEW - DECAL PLACEMENT

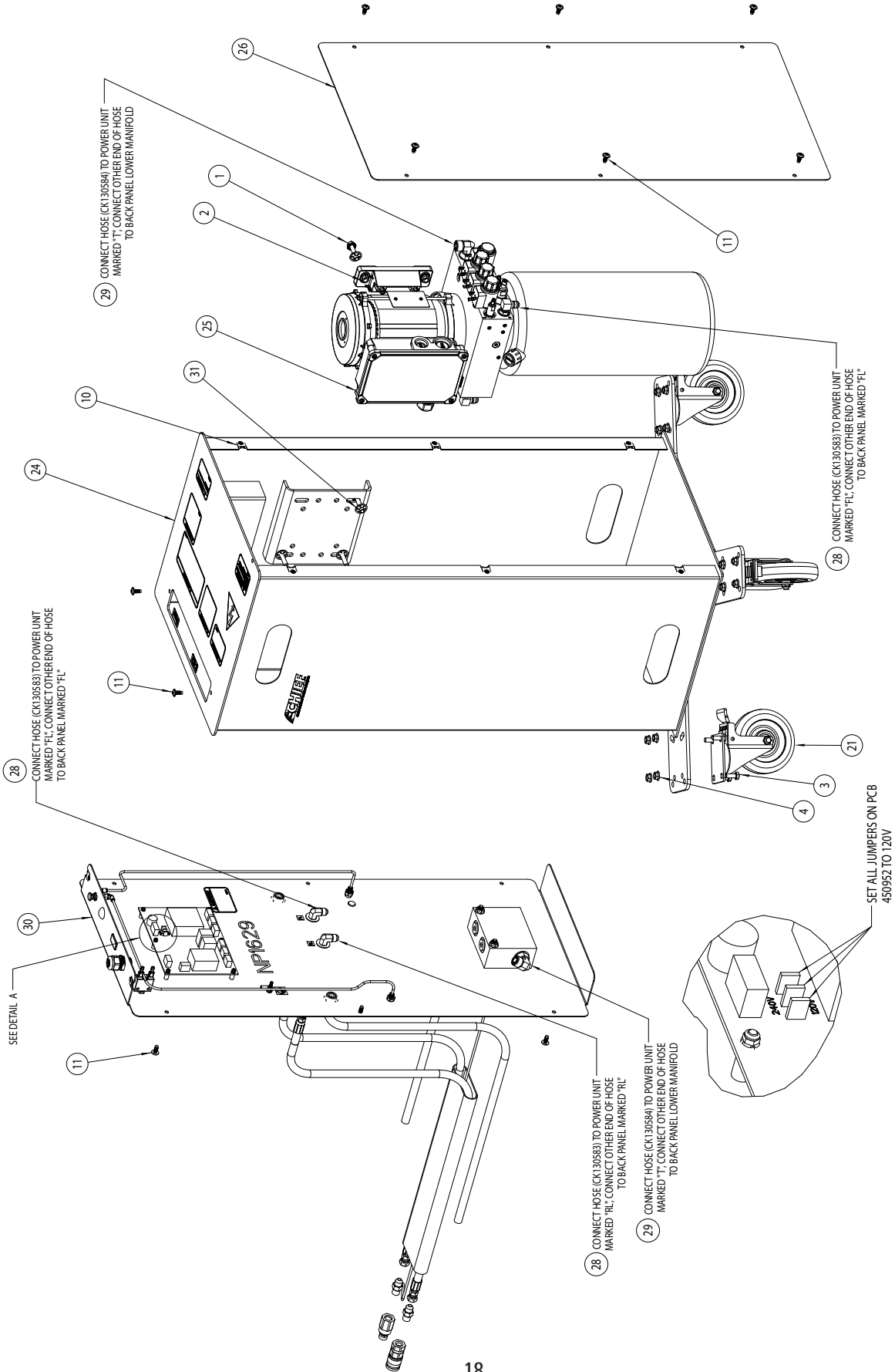


DECAL PLACEMENT- RIGHT SIDE AND LEFT SIDE VIEWS
LOCATE APPROX AS SHOWN

GOLIATH HYDAC 115VAC 50/60 HZ SINGLE PHASE PUMP CABINET



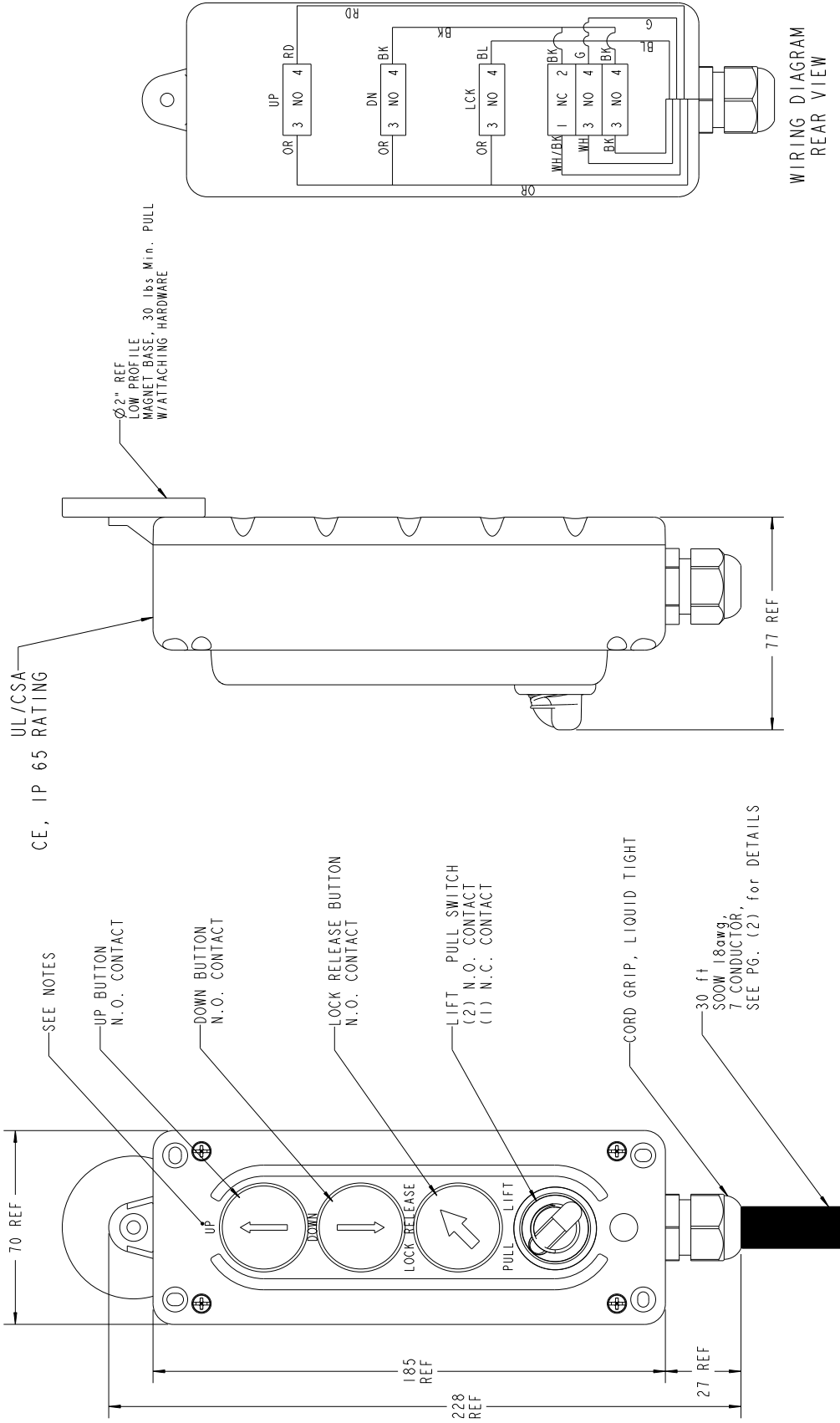
GOLIATH HYDAC 115VAC 50/60 HZ SINGLE PHASE PUMP CABINET



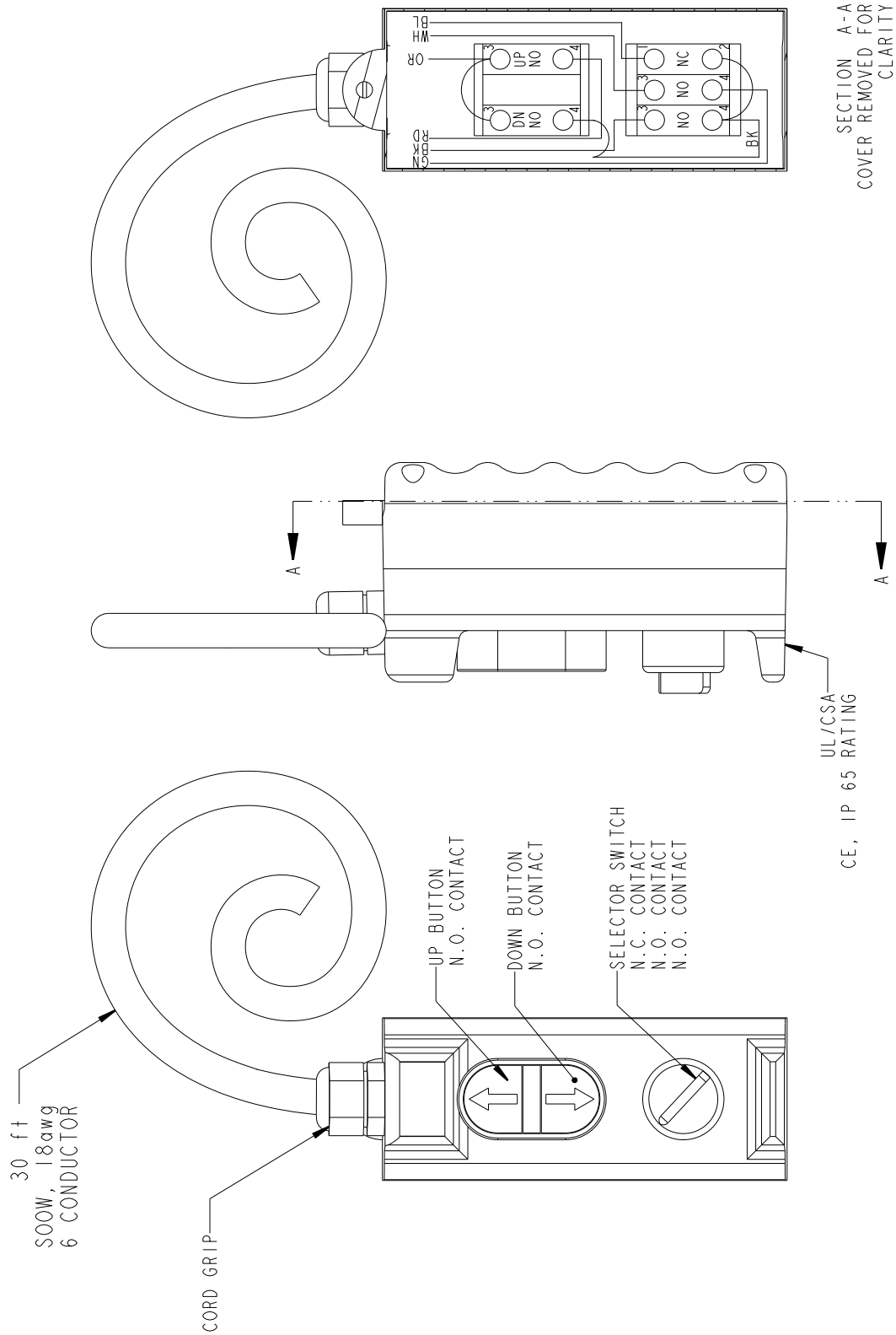
GOLIATH HYDAC 115VAC 50/60 HZ SINGLE PHASE PUMP CABINET

ITEM	QTY	PART NO.	DESCRIPTION
1	4	40509	5/16-18NC X 1-1/2 FLG WHZLCK HHCS GR 5
2	4	40678	5/16"-18NC HEX FLGD WZLOCK NUT, PLTD
3	16	41462	M8x1.25 x 20mm Lg. HHCS
4	16	41541	M8x1.25 HEX FLGD WZLOCK NUT, PLTD
5	1	305094	LABEL, WARNING- EXCEL DO NOT ENTER
6	1	305722	CONNECTOR, MALE FLAT FACE
7	1	305723	COUPLER, FEMALE FLAT FACE
8	1	305801-25FT	TUBING 5/32" SOFT NYLON NATURAL PER FT
9	1	450452	HOSE PROTECTOR, EYHT CABINET
10	12	450453	1/4-20 NC J STYLE CLIP NUT
11	14	450459	SCREW, 1/4-20 X 3/4" BUTTON TORQ (+)
12	2	450497	HOSE, HYD SIDE,218"
13	2	601046	STRAIGHT ADAPTER, 6400-6-6
14	1	692001	DECAL, WARNING - EXPLOSION/FIRE RISK
15	1	692002	DECAL, WARNING - BELOW GRADE / FLOOR LEVEL
16	1	692053	LABEL, CAUTION, LOCK LEVEL
17	1	692055	LABEL, CAUTION LIFT OPERATION IMPLUSE E-VHT
18	1	692096	LABEL, CAUTION, TOWER POSITION
19	1	692144	LABEL, WARNING ENCLOSURE
20	2	788190	DECAL, CHIEF AUTOMOTIVE LOGO
21	4	788981	TOTAL LOCK 5" CASTER
22	1	450057B	DECAL ,E/VHT PORTA-FRAME BULKHEAD
23	1	450057C	DECAL ,E/VHT PORTA-FRAME BULKHEAD
24	1	CK110307	TALL CABINET WELDMENT
25	1	CK110309	CHIEF VERTICAL POWER PACK ASSEMBLY
26	1	CK120535	PANEL PUMP CABINET FRONT
27	1	CK130105	4-BUTTON PENDENT CHIEF
28	2	CK130583	HYDRAULIC HOSE -6FJX 45" lg x 3/8" ID
29	1	CK130584	PANEL TOWER SUPPLY HOSE ASSEMBLY
30	1	CK140149	GOLIATH PUMP CABINET PANEL 115V 50/60Hz 1Ph
31	4	FC5209	5/16 PUSHNUT PALNUT #PV312015

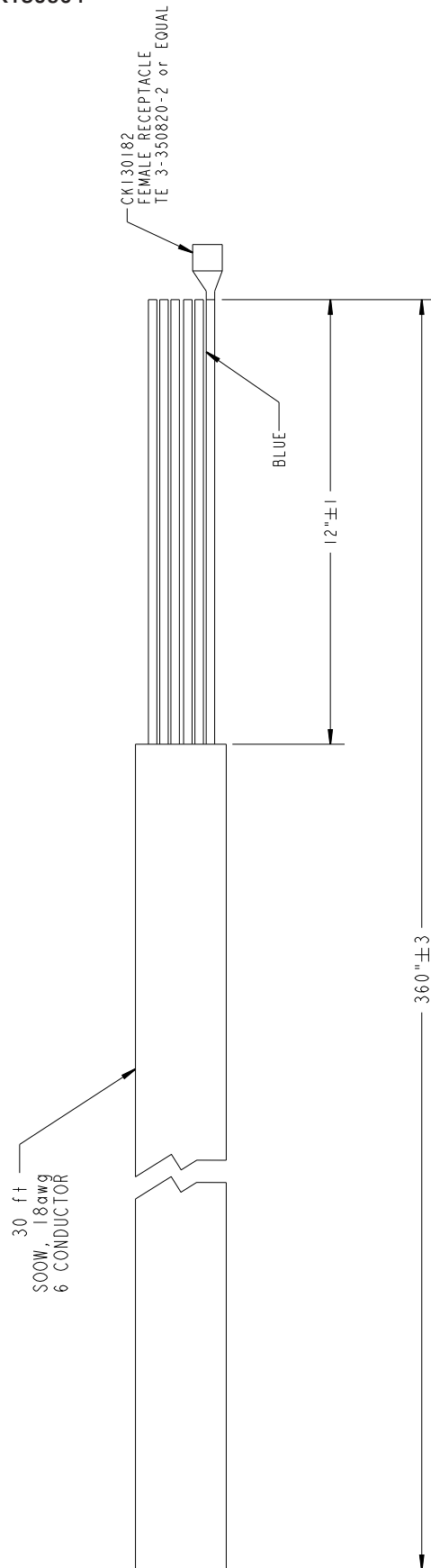
GOLIATH 4-BUTTON PENDENT, CK130105



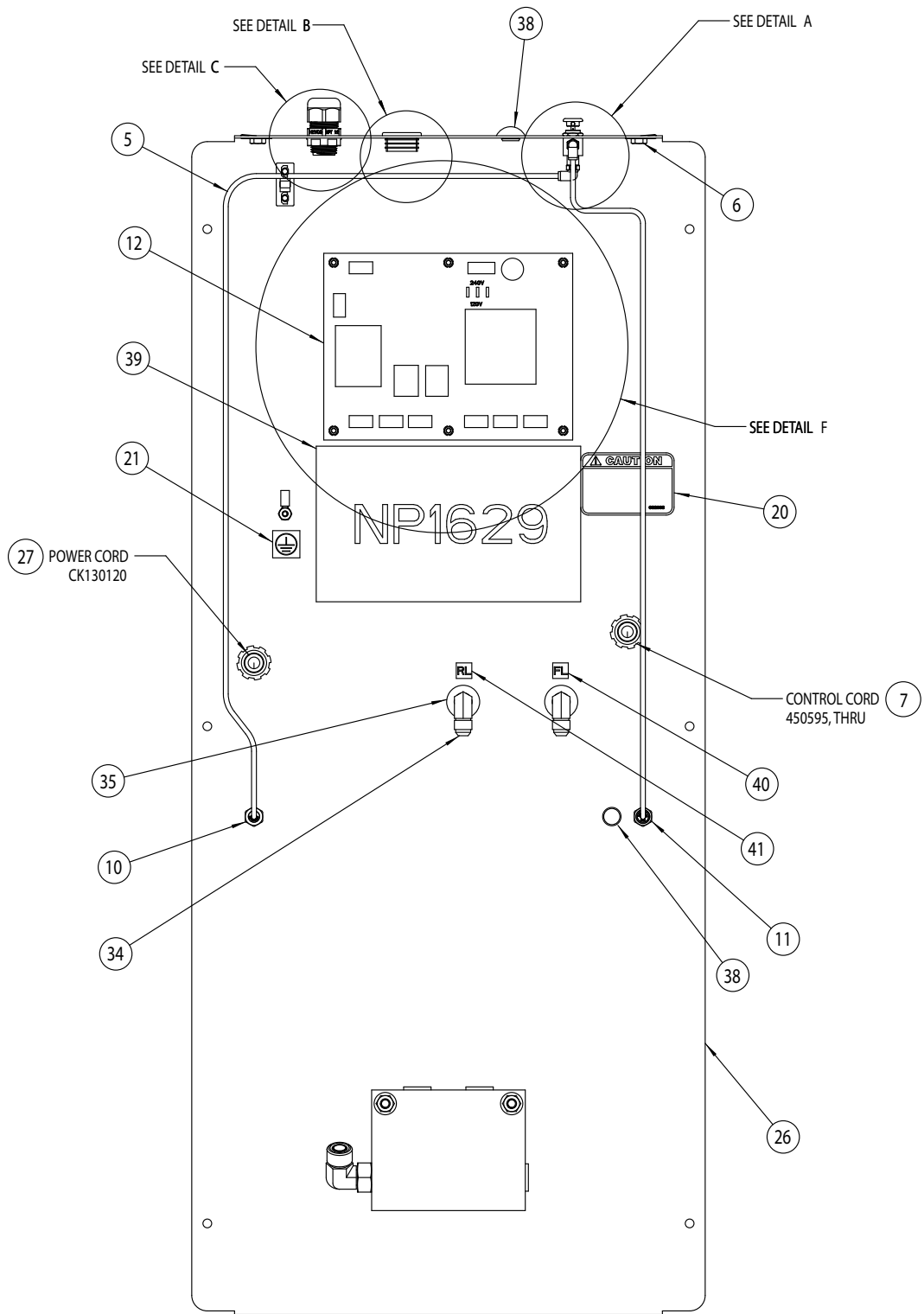
GOLIATH 2-BUTTON PENDENT, CK130594



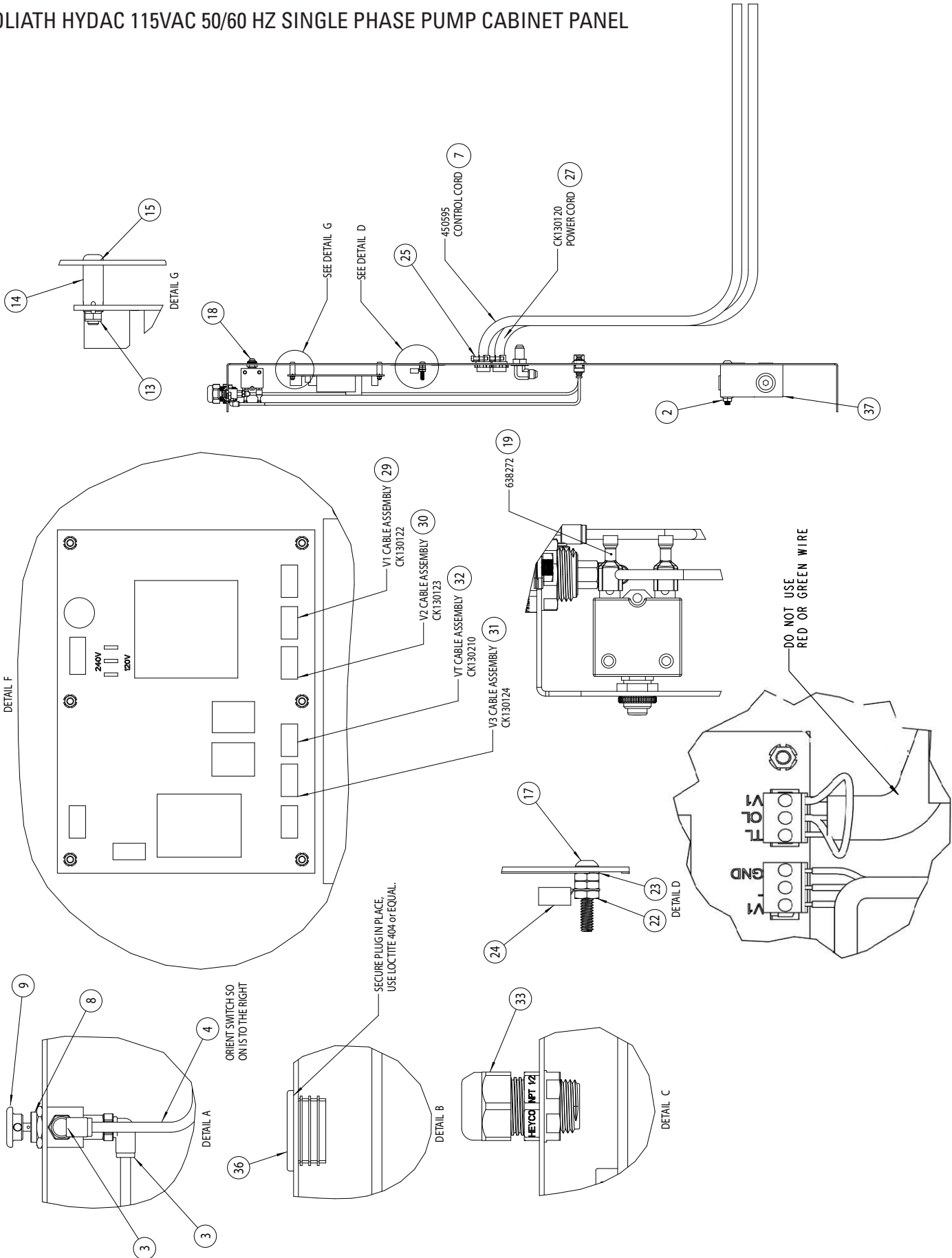
GOLIATH 2-BUTTON PENDENT, CK130594



GOLIATH HYDAC 115VAC 50/60 HZ SINGLE PHASE PUMP CABINET PANEL



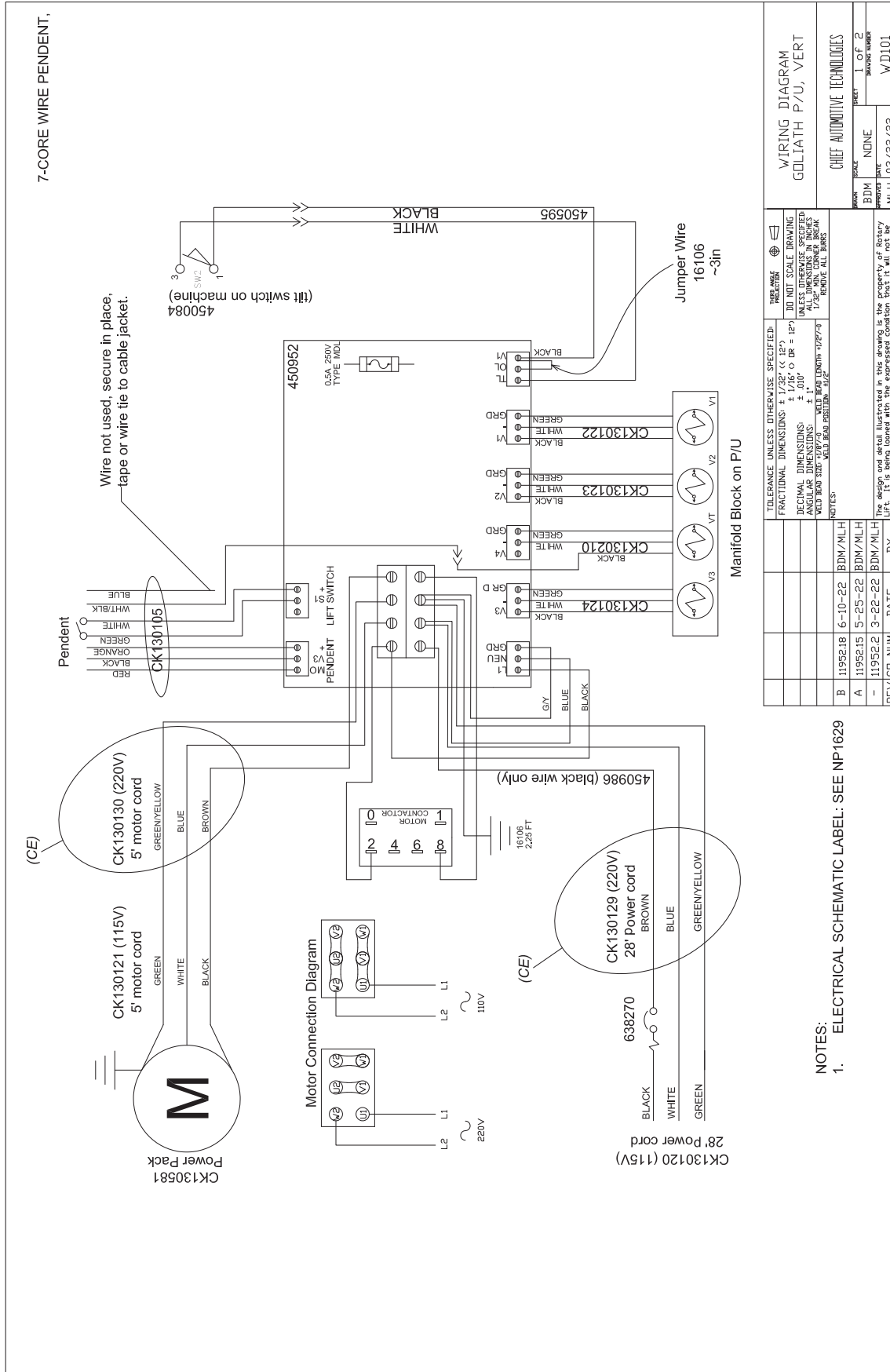
GOLIATH HYDAC 115VAC 50/60 HZ SINGLE PHASE PUMP CABINET PANEL



GOLIATH HYDAC 115VAC 50/60 HZ SINGLE PHASE PUMP CABINET PANEL

ITEM	QTY	PART NO.	DESCRIPTION
1	1	16106-27IN	12 Ga WIRE w/YELLOW STRIPE, PER FOOT
2	2	41541	M8x1.25 HEX FLGD WZLOCK NUT, PLTD
3	2	305797	FITTING,10-32 MICROLOCK,90 DEG
4	1	305801-24IN	TUBING 5/32" SOFT NYLON NATURAL PER FT
5	1	305848-28IN	TUBING 5/32" SOFT NYLON BLACK PER FT
6	2	450453	1/4-20 NC J STYLE CLIP NUT
7	1	450595	CONTROL CORD, 16/4, 240" (OTC SERIES)
8	1	450883	N.C. 3-WAY SPOOL VALVE
9	1	450889	BUTTON ACTUATOR 1/8" STEM
10	1	450950	FITTING, 5/32 PTL-1/4 NPT FEMALE BULKHEAD
11	1	450951	BULKHEAD FITTING, 5/32 PTL
12	1	450952	PCB ASSEMBLY
13	6	450957	#8-32 NYLON LOCKNUT
14	6	450973	PCB SPACER SUPPORT, PLASTIC
15	6	450982	SCREW, #8-32 X 1", BUTTON-HEAD BLACK
16	1	450986-15IN	12 Ga Wire, Stranded Black 600V
17	1	451232	SCREW, 10-24x1 BUTTON HEAD HEX
18	1	638270	CIRCUIT BREAKER PUMP MOTOR 120V 25A
19	2	638272	QUICK-CONNECTS FOR CONTACTOR WIRES
20	1	692003	LABEL, CAUTION, LOCK LEVEL
21	1	692004	DECAL, GROUND SYMBOL
22	3	796010	NUT, 10-24 HEX PLATED
23	1	796460	WASHER, #10 INT TOOTH LOCK
24	5	796494	RING TERM. #10 Stud, 10-12AWG Insulated
25	2	798498	STRAIN RELIEF CONNECTOR, 1/2"
26	1	CK120537	PANEL CABINET CONTROLS
27	1	CK130120	POWER CORD ASSEMBLY GOLIATH, 115V
28	1	CK130121	MOTOR CORD, GOLIATH 12/3 CORD
29	1	CK130122	V1 CABLE ASSM GOLIATH
30	1	CK130123	V2 CABLE ASSM GOLIATH
31	1	CK130124	V3 CABLE ASSM GOLIATH
32	1	CK130210	V3 CABLE ASSM GOLIATH
33	1	CK130211	CORD GRIP 3200
34	2	CK130246	BULKHEAD UNION ELBOW w/NUT
35	2	CK130585	WASHER, 9/16 .578" ID, SS
36	1	CK130593	RECTANGULAR PLUG
37	1	CK140152	GOLIATH DISTRIBUTION BLOCK ASSM
38	2	FA7958-9	1/2" HOLE PLUG
39	1	NP1629	GOLIATH-VERT ELECTRICAL SCHEMATIC, NAMEPLATE
40	1	NP1630	NAMEPLATE FL
41	1	NP1631	NAMEPLATE RL

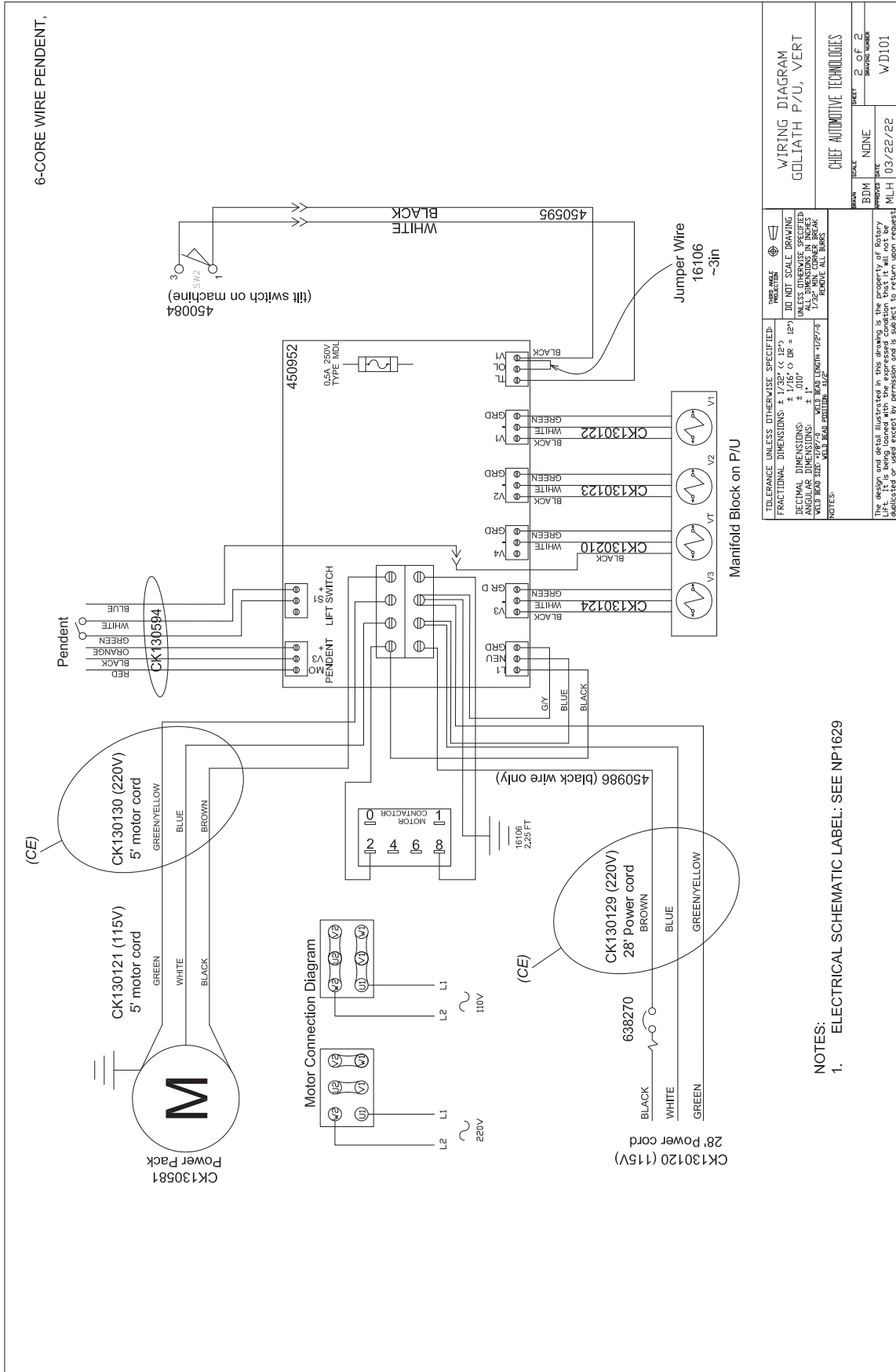
GOLIATH HYDAC WIRING DIAGRAM



TOLERANCE UNLESS OTHERWISE SPECIFIED:	FRAC. DIMENSIONS: ± 1/32" (1/32" < DP) DO NOT SCALE DRAWING UNLESS OTHERWISE SPECIFIED
DECIMAL DIMENSIONS: ± .010"	ANGULAR DIMENSIONS: ± 1°
WELD BEAD SIZE: ± 1/16" (1/16" MINIMUM - 1/8" MAXIMUM)	WELD BEAD POSITION: ± 1/16"
NOTES:	
B	1195218 6-10-22 BDM/MLH
A	1195215 5-25-22 BDM/MLH
-	1195222 3-22-22 BDM/MLH
REV/CD NUM	DATE BY

WIRING DIAGRAM	GOLIATH P/U, VERT
CHIEF AUTOMOTIVE TECHNOLOGIES	
DATE	03/22/22
BY	MLH
DESIGNER	MLH
CHECKED	MLH
APPROVED	MLH
ISSUE NO.	1
TOTAL NO.	2
W/D	WD101

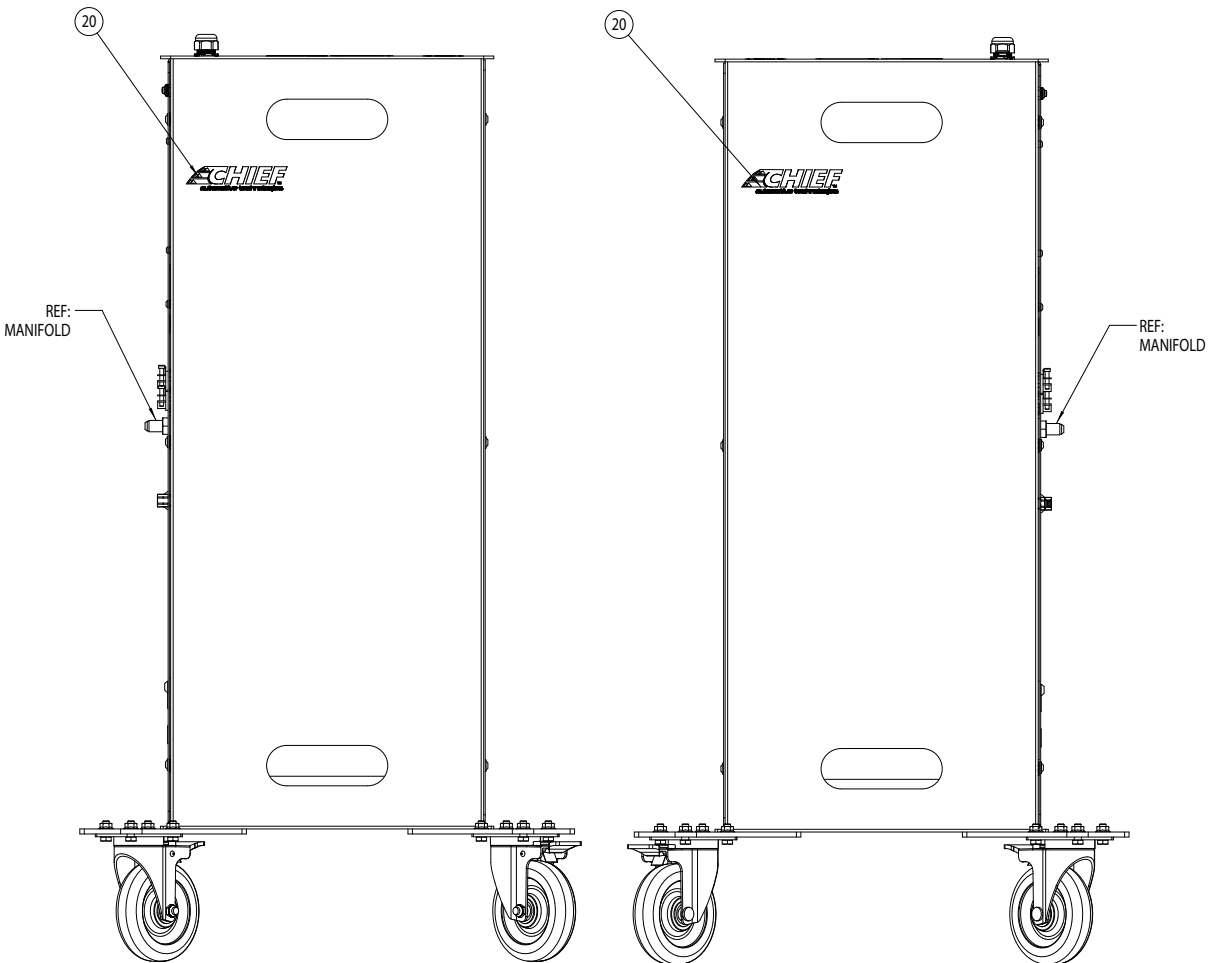
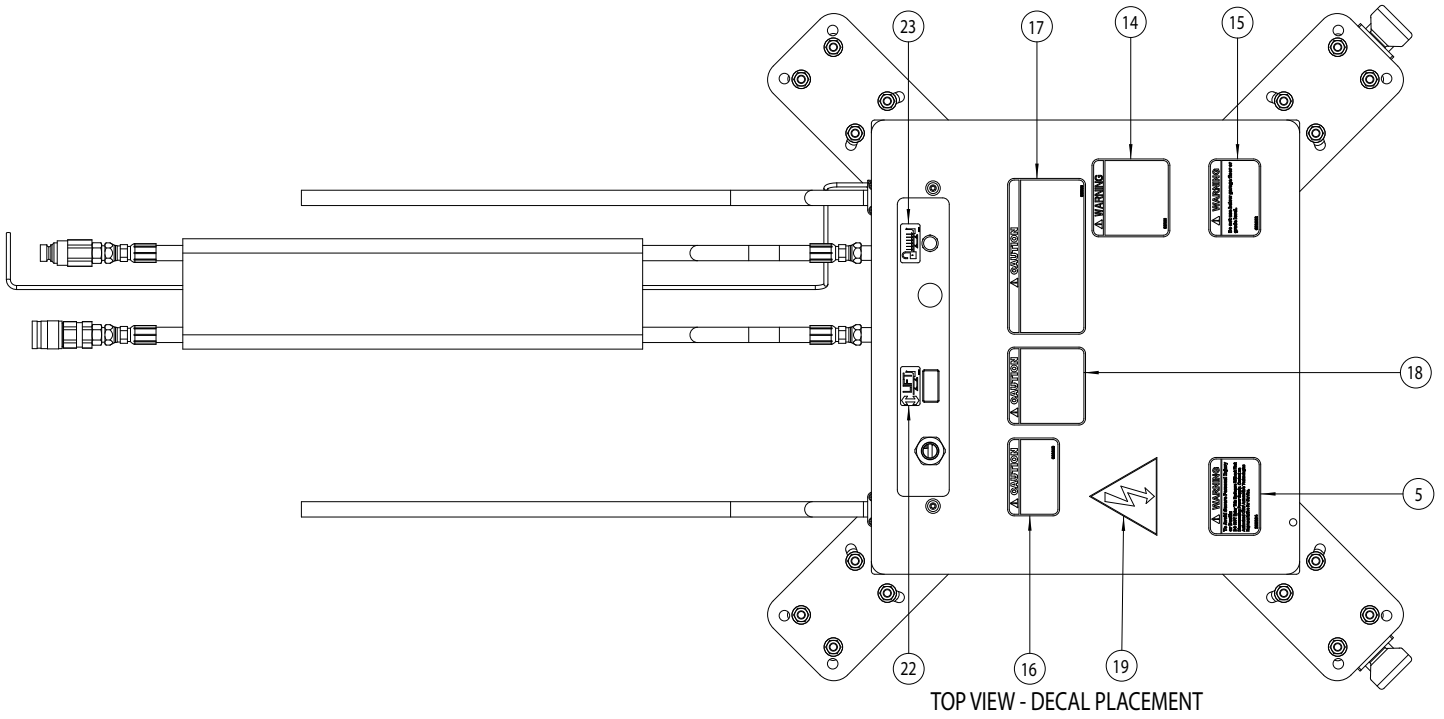
GOLIATH HYDAC WIRING DIAGRAM



<p>WIRING DIAGRAM GOLIATH P/U, VERT</p>	
<p>CHIEF AUTOMOTIVE TECHNOLOGIES</p>	
<p>DATE: _____</p>	<p>SHEET: 2 of 2</p>
<p>BDM: NDNE</p>	<p>ISSUE NUMBER: W/D101</p>
<p>MLH 03/22/22</p>	

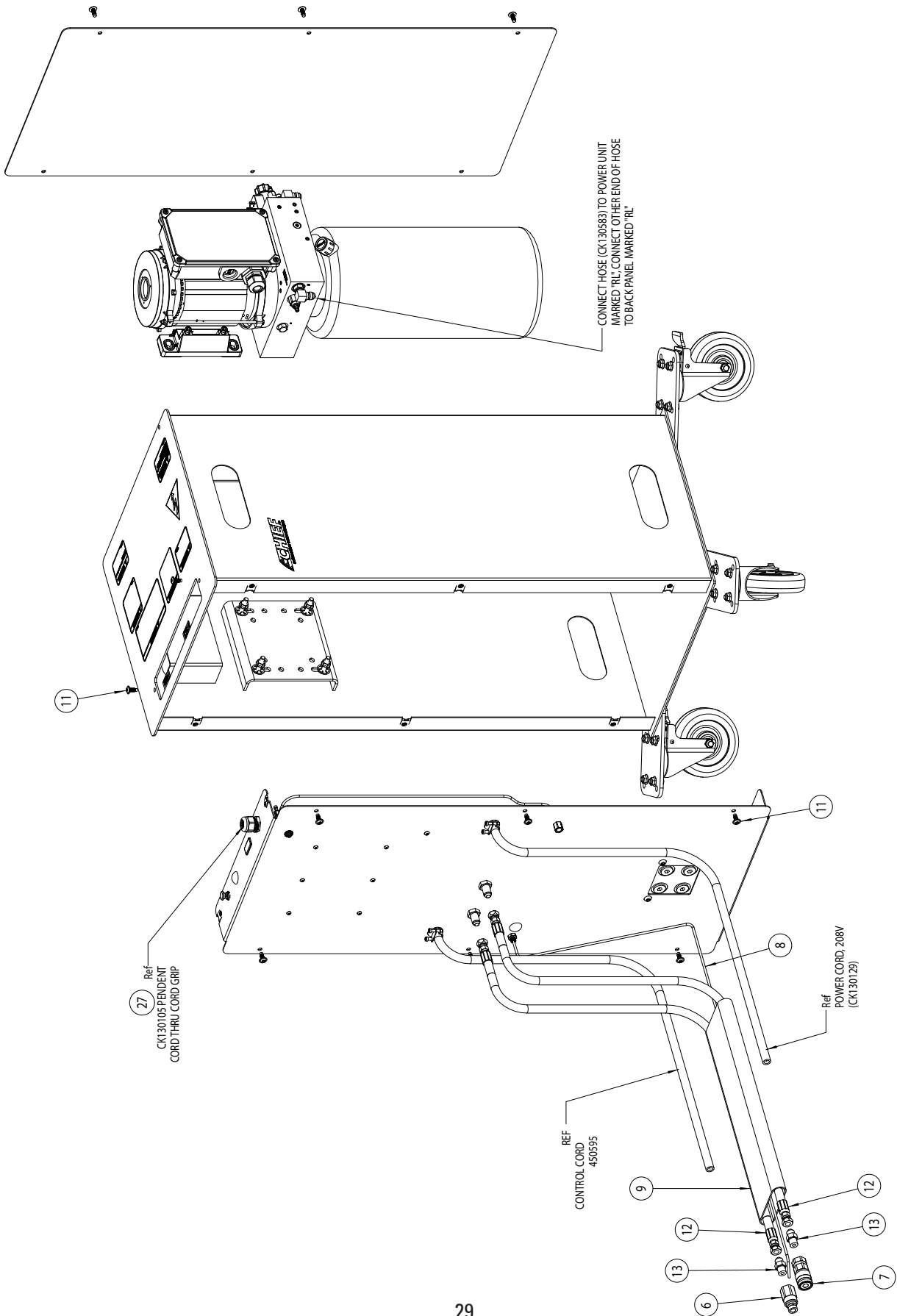
<p>TOLERANCE UNLESS OTHERWISE SPECIFIED: FRACTIONAL DIMENSIONS: ± 1/32" (≤ 12") DECIMAL DIMENSIONS: ± 1/16" (≤ 12") ALL DIMENSIONS IN INCHES UNLESS OTHERWISE SPECIFIED</p>	<p>DO NOT SCALE DRAWING ALL DIMENSIONS IN INCHES UNLESS OTHERWISE SPECIFIED</p>
<p>NOTES: 1. ELECTRICAL SCHEMATIC LABEL: SEE NP1629</p>	<p>DESIGN AND DETAIL ILLUSTRATED IN THIS DRAWING IS THE PROPERTY OF CHIEF AUTOMOTIVE TECHNOLOGIES. IT IS TO BE USED ONLY FOR THE PROJECT AND QUANTITY SPECIFIED. ANY REUSE, REPRODUCTION, OR MODIFICATION WITHOUT THE WRITTEN PERMISSION OF CHIEF AUTOMOTIVE TECHNOLOGIES IS STRICTLY PROHIBITED AND IS SUBJECT TO RETURN UPON REQUEST.</p>

GOLIATH HYDAC 208VAC 50/60 HZ SINGLE PHASE PUMP CABINET

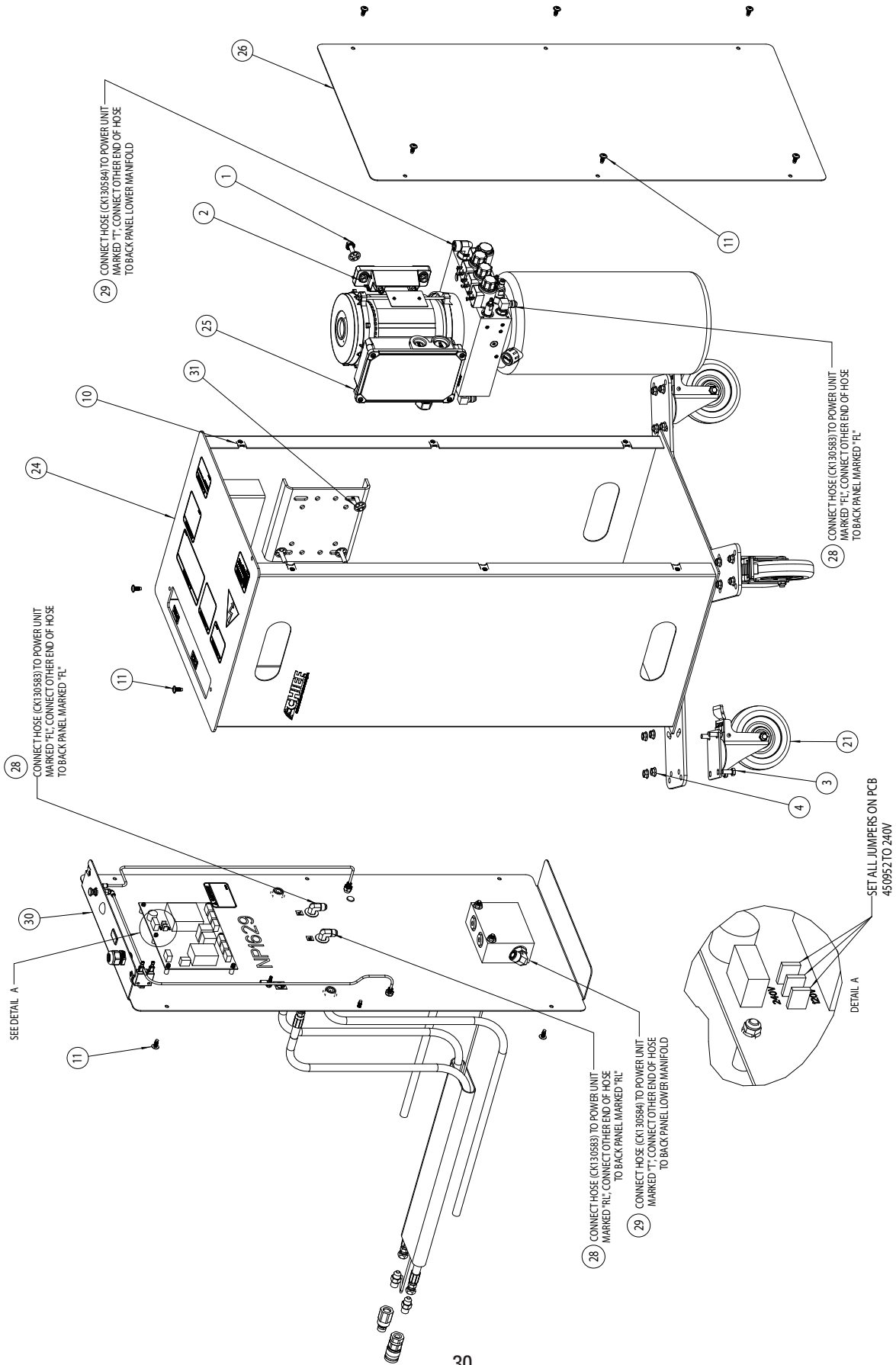


DECAL PLACEMENT- RIGHT SIDE AND LEFT SIDE VIEWS
LOCATE APPROX AS SHOWN

GOLIATH HYDAC 208VAC 50/60 HZ SINGLE PHASE PUMP CABINET



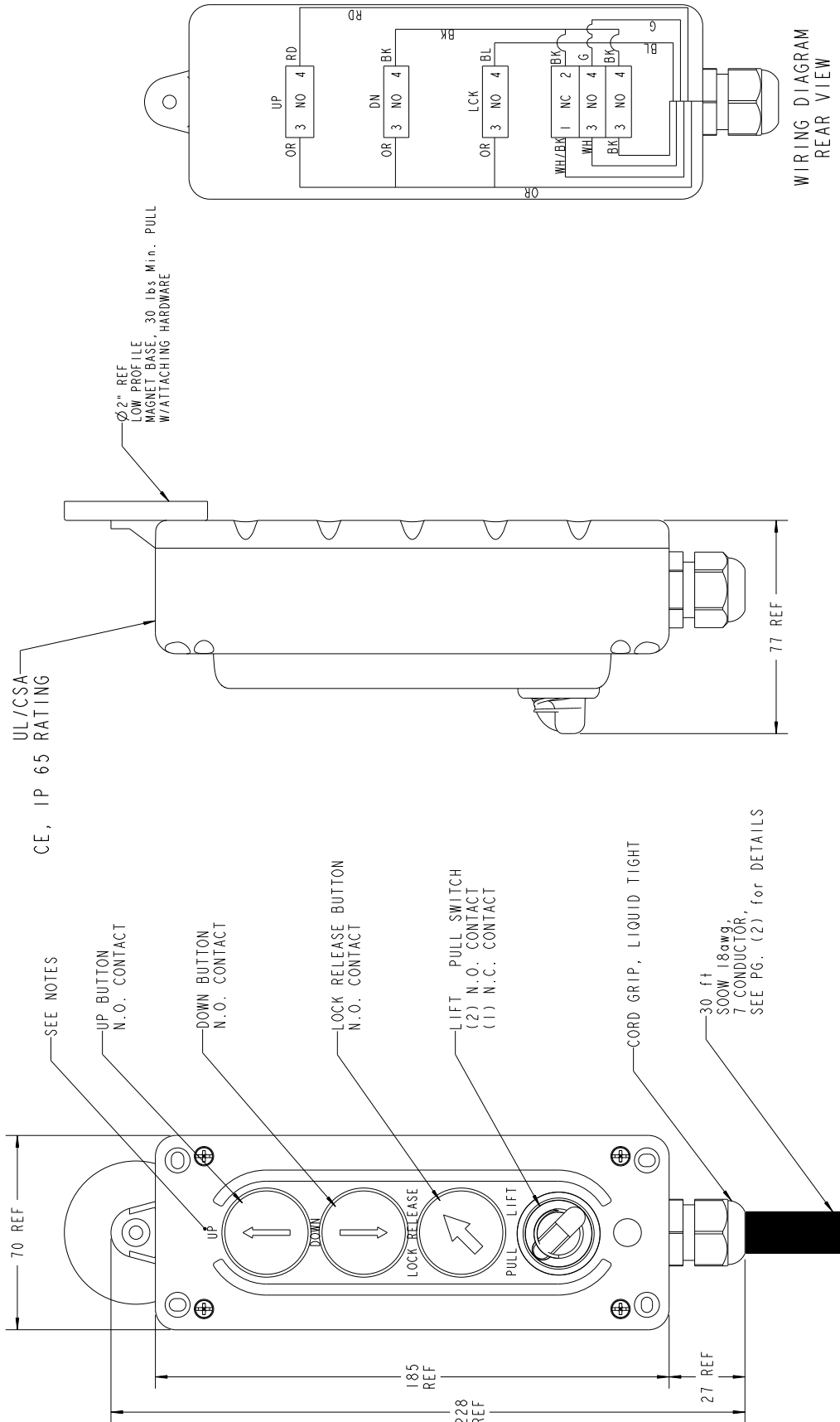
GOLIATH HYDAC 208VAC 50/60 HZ SINGLE PHASE PUMP CABINET



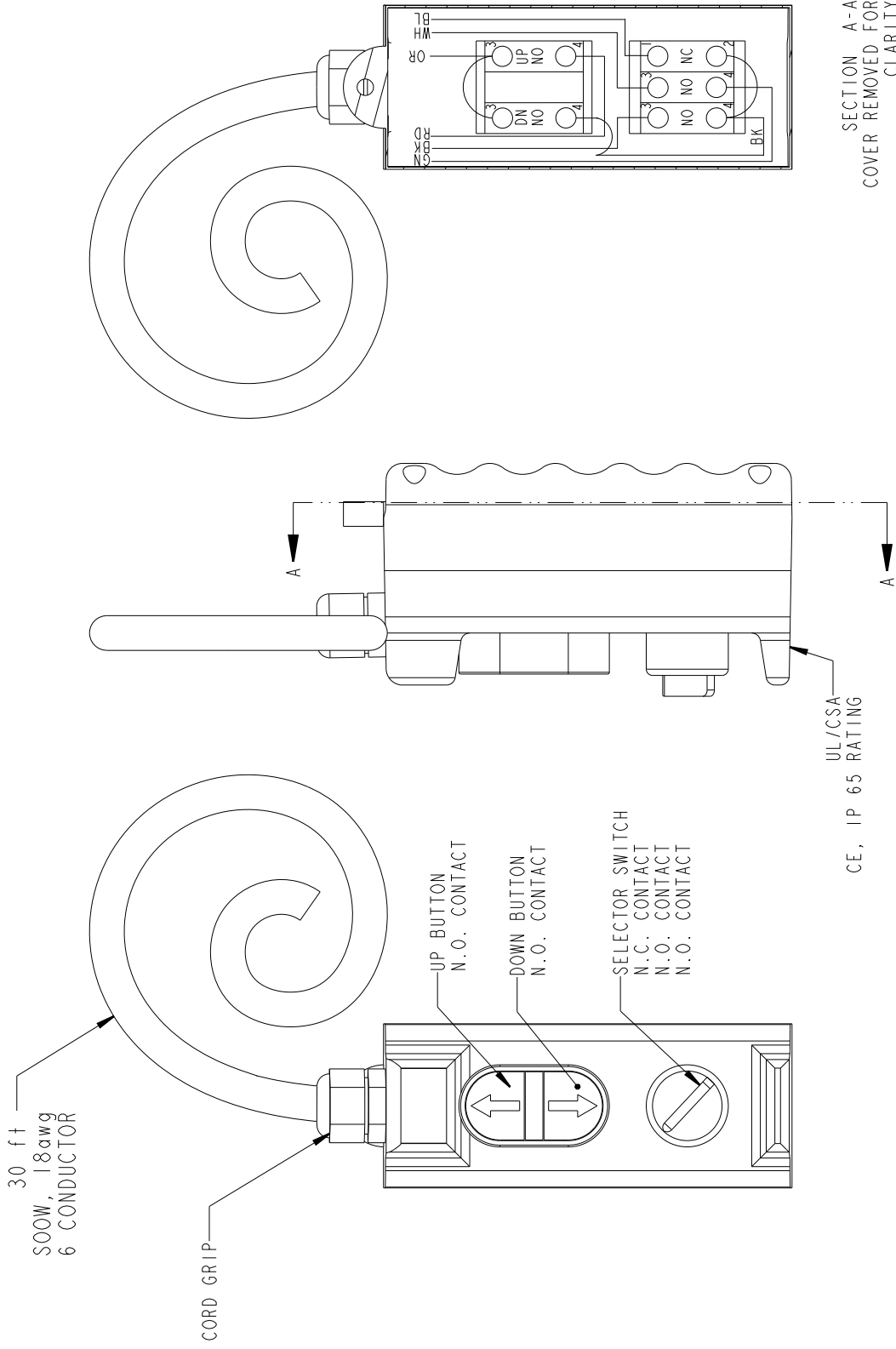
GOLIATH HYDAC 208VAC 50/60 HZ SINGLE PHASE PUMP CABINET

ITEM	QTY	PART NO.	DESCRIPTION
1	4	40509	5/16-18NC X 1-1/2 FLG WHZLCK HHCS GR 5
2	4	40678	5/16"-18NC HEX FLGD WZLOCK NUT, PLTD
3	16	41462	M8x1.25 x 20mm Lg. HHCS
4	16	41541	M8x1.25 HEX FLGD WZLOCK NUT, PLTD
5	1	305094	LABEL, WARNING- EXCEL DO NOT ENTER
6	1	305722	CONNECTOR, MALE FLAT FACE
7	1	305723	COUPLER, FEMALE FLAT FACE
8	1	305801-25FT	TUBING 5/32" SOFT NYLON NATURAL PER FT
9	1	450452	HOSE PROTECTOR, EYHT CABINET
10	12	450453	1/4-20 NC J STYLE CLIP NUT
11	14	450459	SCREW, 1/4-20 X 3/4" BUTTON TORQ (+)
12	2	450497	HOSE, HYD SIDE, 218"
13	2	601046	STRAIGHT ADAPTER, 6400-6-6
14	1	692001	DECAL, WARNING - EXPLOSION/FIRE RISK
15	1	692002	DECAL, WARNING - BELOW GRADE / FLOOR LEVEL
16	1	692053	LABEL, CAUTION, LOCK LEVEL
17	1	692055	LABEL, CAUTION LIFT OPERATION IMPLUSE E-VHT
18	1	692096	LABEL, CAUTION, TOWER POSITION
19	1	692144	LABEL, WARNING ENCLOSURE
20	2	788190	DECAL, CHIEF AUTOMOTIVE LOGO
21	4	788981	TOTAL LOCK 5" CASTER
22	1	450057B	DECAL ,E/VHT PORTA-FRAME BULKHEAD
23	1	450057C	DECAL ,E/VHT PORTA-FRAME BULKHEAD
24	1	CK110307	TALL CABINET WELDMENT
25	1	CK110309	CHIEF VERTICAL POWER PACK ASSEMBLY
26	1	CK120535	PANEL PUMP CABINET FRONT
27	1	CK130105	4-BUTTON PENDENT CHIEF
28	2	CK130583	HYDRAULIC HOSE -6FJX 45" lg x 3/8" ID
29	1	CK130584	PANEL TOWER SUPPLY HOSE ASSEMBLY
30	1	CK140160	GOLIATH PUMP CABINET PANEL 208V 50/60Hz 1Ph
31	4	FC5209	5/16 PUSHNUT PALNUT #PV312015

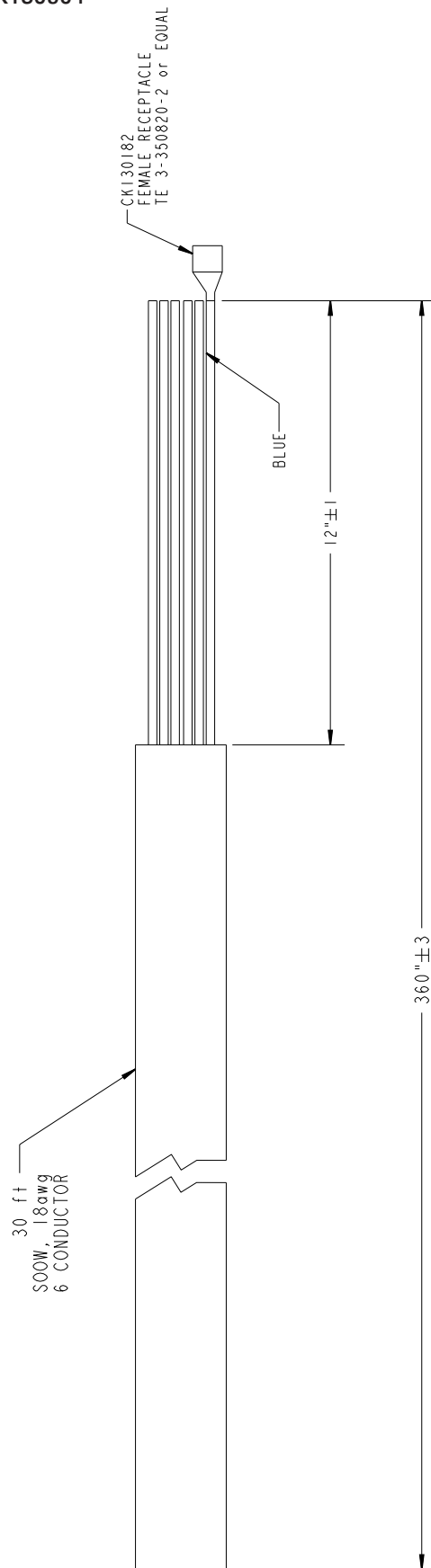
GOLIATH 4-BUTTON PENDENT, CK130105



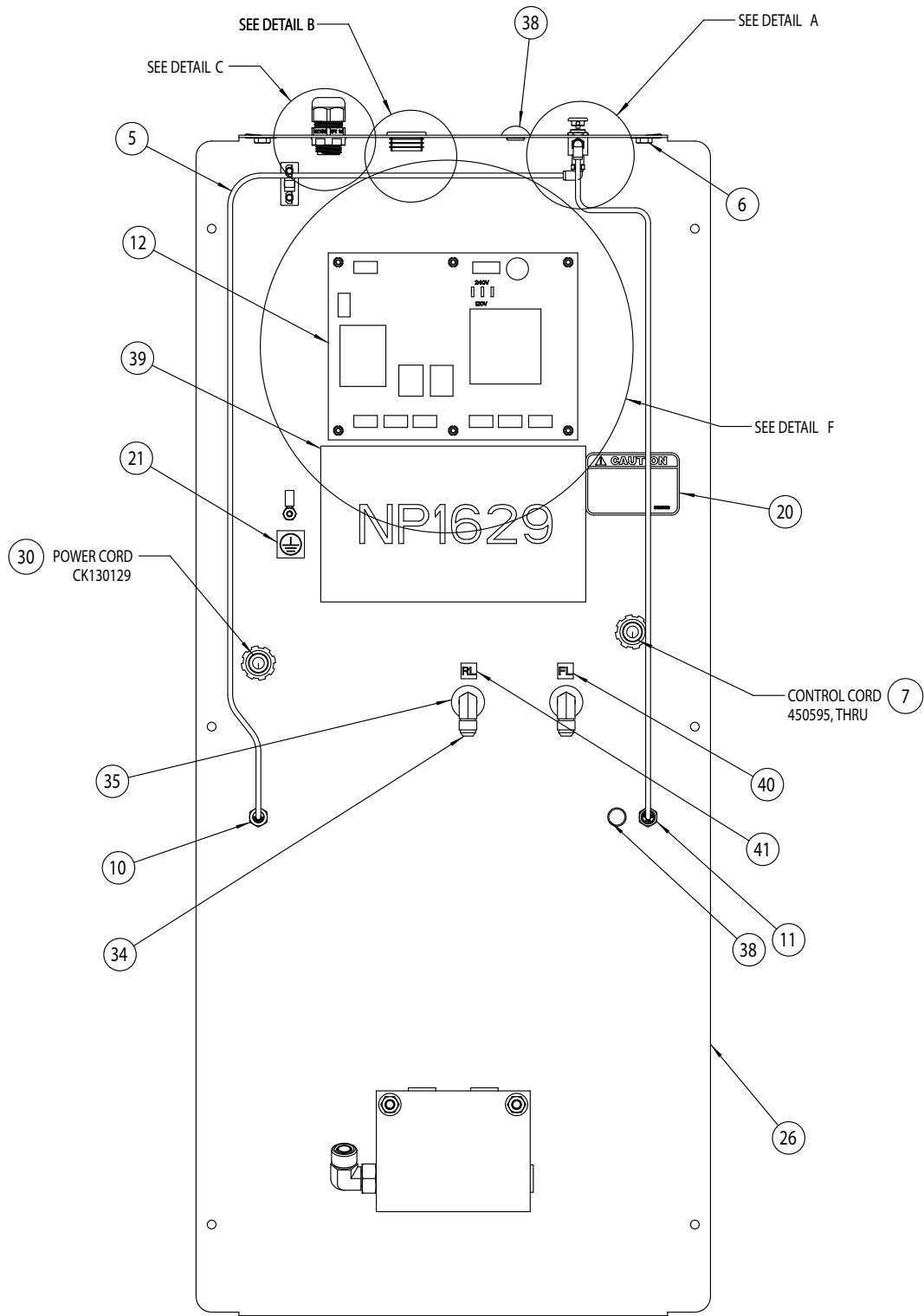
GOLIATH 2-BUTTON PENDENT, CK130594



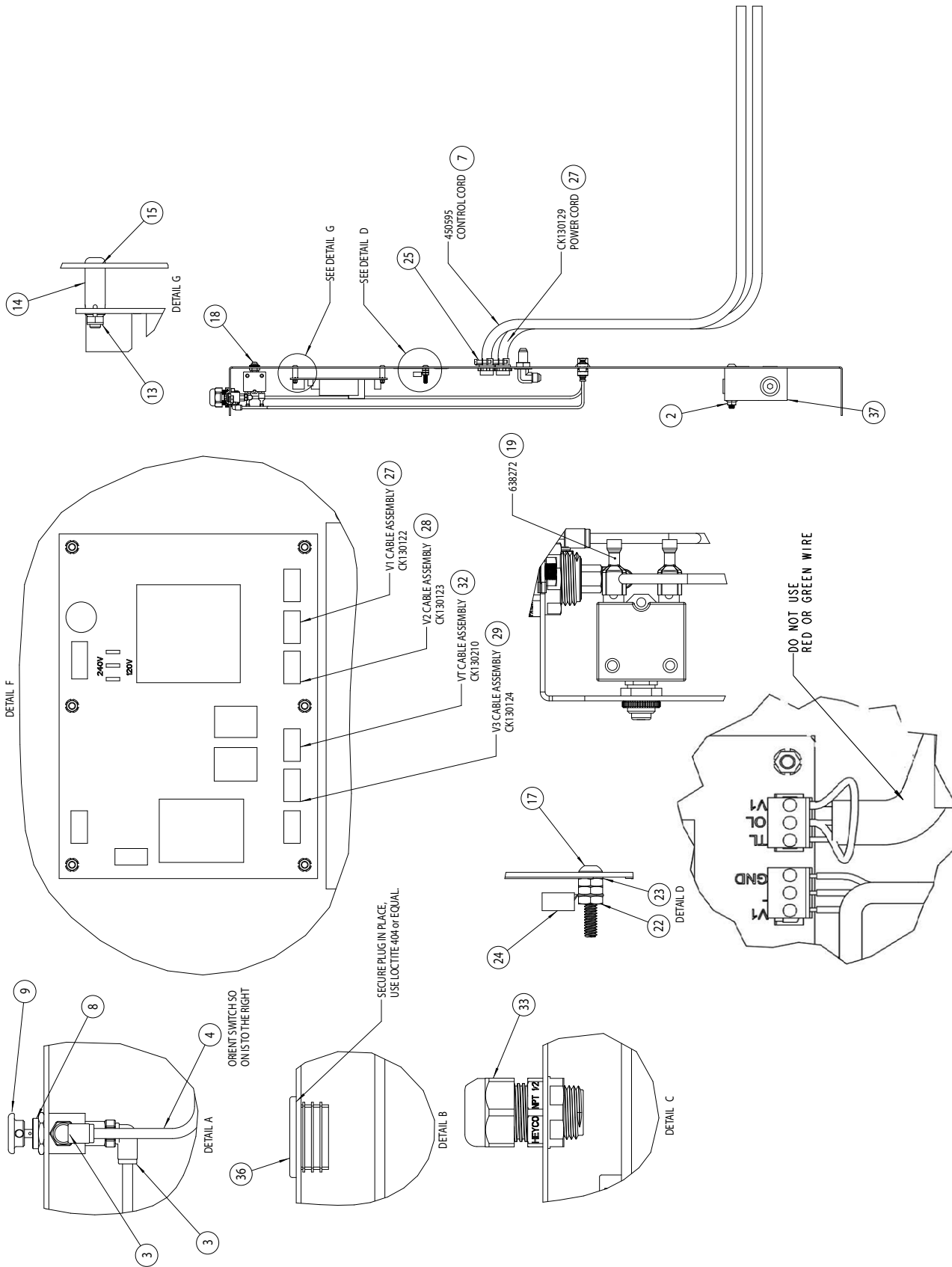
GOLIATH 2-BUTTON PENDENT, CK130594



GOLIATH HYDAC 208VAC 50/60 HZ SINGLE PHASE PUMP CABINET PANEL



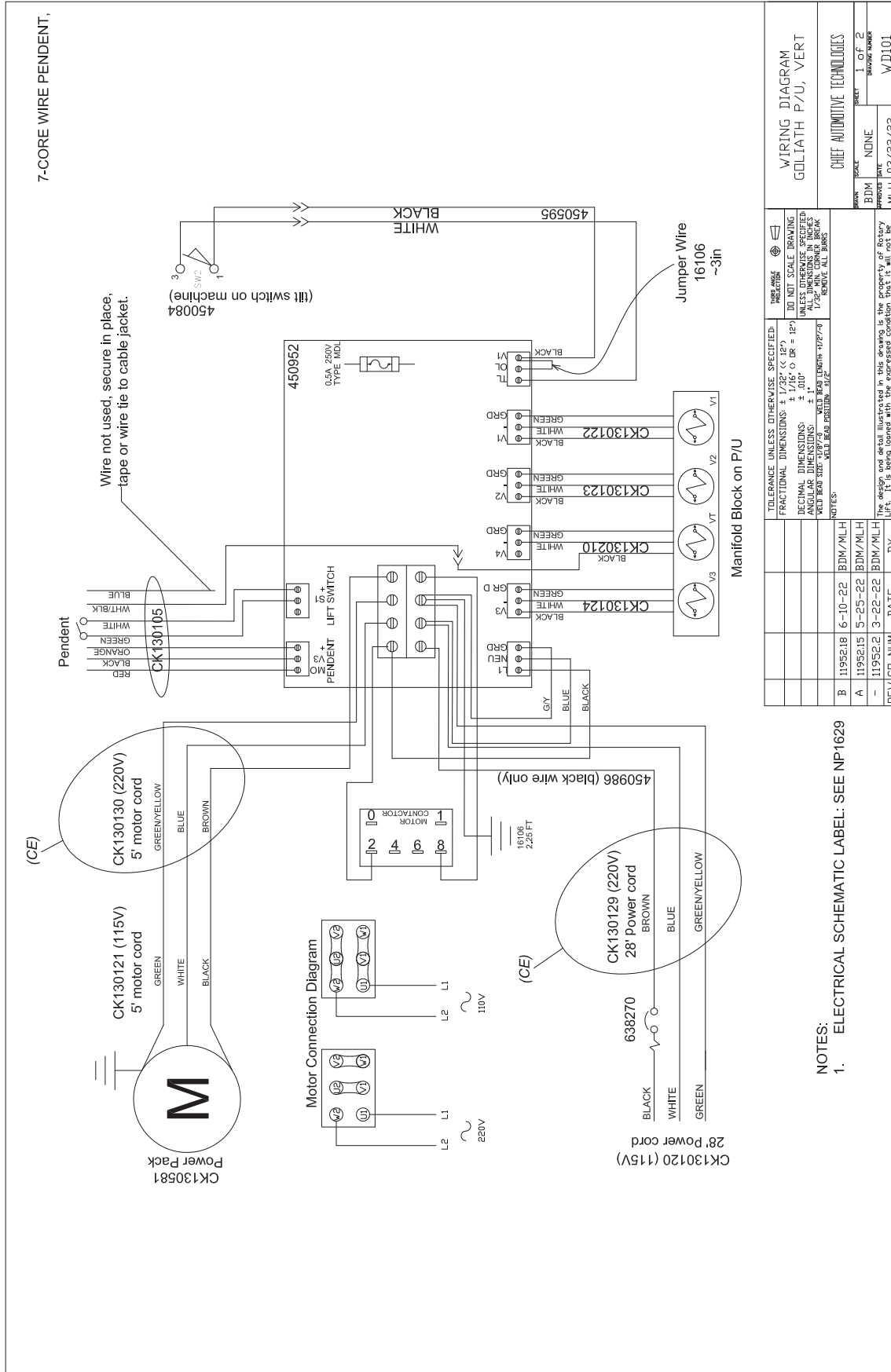
GOLIATH HYDAC 208VAC 50/60 HZ SINGLE PHASE PUMP CABINET PANEL



GOLIATH HYDAC 208VAC 50/60 HZ SINGLE PHASE PUMP CABINET PANEL

ITEM	QTY	PART NO.	DESCRIPTION
1	1	16106-27IN	12 Ga WIRE w/YELLOW STRIPE, PER FOOT
2	2	41541	M8x1.25 HEX FLGD WZLOCK NUT, PLTD
3	2	305797	FITTING,10-32 MICROLOCK,90 DEG
4	1	305801-24IN	TUBING 5/32" SOFT NYLON NATURAL PER FT
5	1	305848-28IN	TUBING 5/32" SOFT NYLON BLACK PER FT
6	2	450453	1/4-20 NC J STYLE CLIP NUT
7	1	450595	CONTROL CORD, 16/4, 240" (OTC SERIES)
8	1	450883	N.C. 3-WAY SPOOL VALVE
9	1	450889	BUTTON ACTUATOR 1/8" STEM
10	1	450950	FITTING, 5/32 PTL-1/4 NPT FEMALE BULKHEAD
11	1	450951	BULKHEAD FITTING, 5/32 PTL
12	1	450952	PCB ASSEMBLY
13	6	450957	#8-32 NYLON LOCKNUT
14	6	450973	PCB SPACER SUPPORT, PLASTIC
15	6	450982	SCREW, #8-32 X 1", BUTTON-HEAD BLACK
16	1	450986-15IN	12 Ga WIRE, STRANDED BLACK 600V
17	1	451232	SCREW, 10-24x1 BUTTON HEAD HEX
18	1	638270	CIRCUIT BREAKER PUMP MOTOR 120V 25A
19	2	638272	QUICK-CONNECTS FOR CONTACTOR WIRES
20	1	692003	LABEL, CAUTION, LOCK LEVEL
21	1	692004	DECAL, GROUND SYMBOL
22	3	796010	NUT, 10-24 HEX PLATED
23	1	796460	WASHER, #10 INT TOOTH LOCK
24	5	796494	RING TERM. #10 Stud, 10-12AWG Insulated
25	2	798498	STRAIN RELIEF CONNECTOR, 1/2"
26	1	CK120537	PANEL CABINET CONTROLS
27	1	CK130122	V1 CABLE ASSM GOLIATH
28	1	CK130123	V2 CABLE ASSM GOLIATH
29	1	CK130124	V3 CABLE ASSM GOLIATH
30	1	CK130129	POWER CORD, GOLIATH CE, 12/3
31	1	CK130130	MOTOR CORD, GOLIATH CE, 12/3 CORD
32	1	CK130210	V3 CABLE ASSM GOLIATH
33	1	CK130211	CORD GRIP 3200
34	2	CK130246	BULKHEAD UNION ELBOW w/NUT
35	2	CK130585	WASHER, 9/16 .578" ID, SS
36	1	CK130593	RECTANGULAR PLUG
37	1	CK140152	GOLIATH DISTRIBUTION BLOCK ASSM
38	2	FA7958-9	1/2" HOLE PLUG
39	1	NP1629	GOLIATH-VERT ELECTRICAL SCHEMATIC, NAMEPLATE
40	1	NP1630	NAMEPLATE FL
41	1	NP1631	NAMEPLATE RL

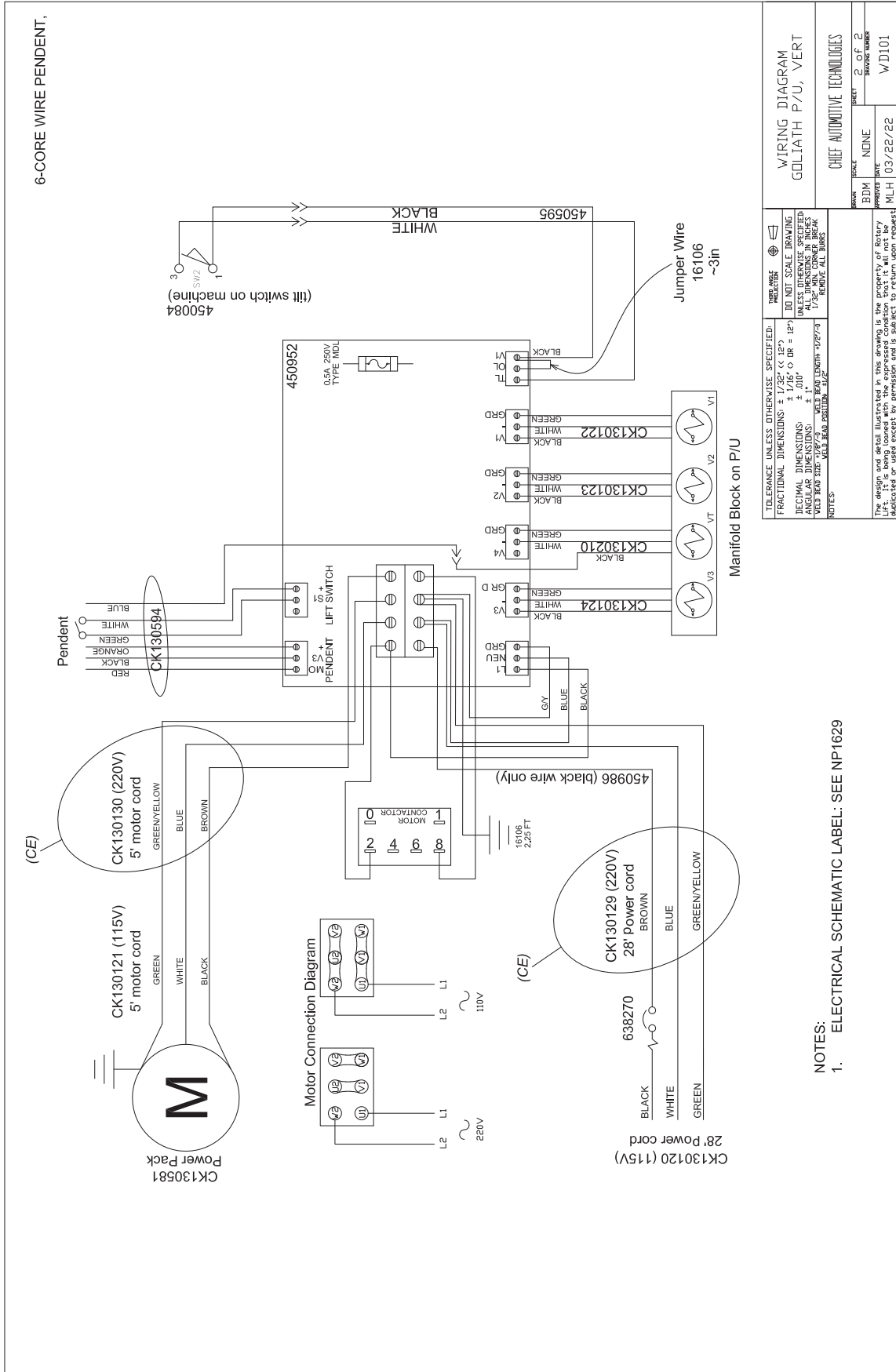
GOLIATH HYDAC WIRING DIAGRAM



TOLERANCE UNLESS OTHERWISE SPECIFIED:	
FRACTIONAL DIMENSIONS: ± 1/32" < 1/8"	DO NOT SCALE DRAWING
DECIMAL DIMENSIONS: ± .010"	UNLESS OTHERWISE SPECIFIED
ANGULAR DIMENSIONS: ± 1°	ALL DIMENSIONS IN INCHES
WELD BEAD SIZE: ± 1/16"	UNLESS OTHERWISE SPECIFIED
WELD BEAD POSITION: ± 1/32"	REMOVE ALL BURRS
NOTES:	
B	11952.18 6-10-22 BDM/MLH
A	11952.15 5-25-22 BDM/MLH
-	11952.2 3-22-22 BDM/MLH
REV	CD NUM DATE BY

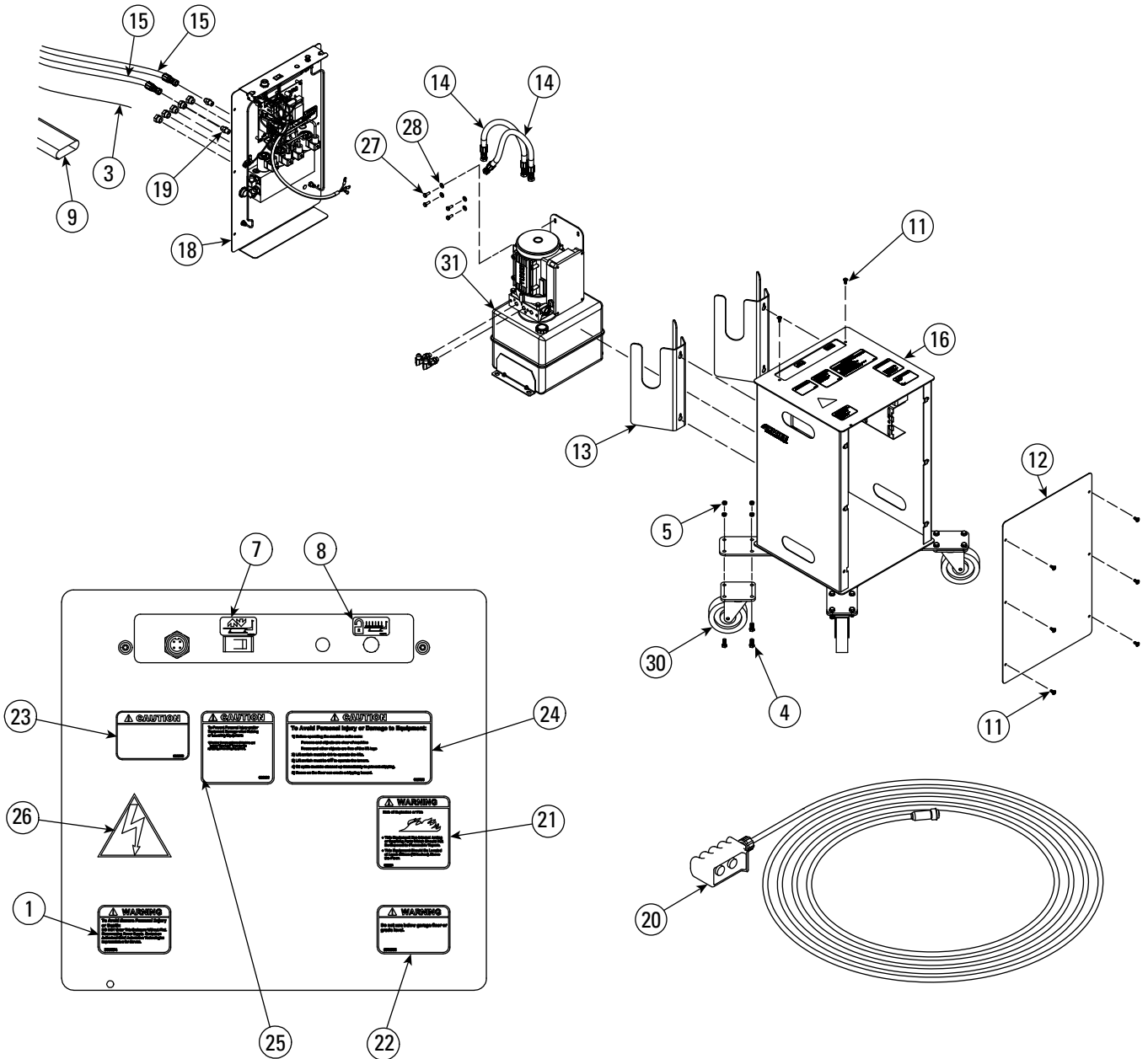
WIRING DIAGRAM GOLIATH P/U, VERT	
CHIEF AUTOMOTIVE TECHNOLOGIES	
DATE	1 of 2
BY	sheet number
MLH	WD101
03/22/22	

GOLIATH HYDAC WIRING DIAGRAM



TOLERANCE UNLESS OTHERWISE SPECIFIED:		FRACTIONAL DIMENSIONS: ± 1/32" (≤ 12")		DECIMAL DIMENSIONS: ± 0.005" (≤ 12")		ANGULAR DIMENSIONS: ± 1°		WELD BEAD SIZE: 1/8" (1/8" - 1/2")		WELD BEAD POSITION: ± 1/8"	
DO NOT SCALE DRAWING		ALL DIMENSIONS IN INCHES		ALL DIMENSIONS IN MILLIMETERS		WELD BEAD POSITION: ± 1/8"		WELD BEAD SIZE: 1/8" (1/8" - 1/2")		WELD BEAD POSITION: ± 1/8"	
NOTES:											
The design and detail illustrated in this drawing is the property of Chief Automotive Technologies and is not to be reproduced, stored in a retrieval system, or transmitted in any form or by any means, electronic, mechanical, photocopying, recording, or by any information storage and retrieval system, without the prior written permission of Chief Automotive Technologies. Duplication or use except by permission and is subject to return upon request.											
REV	DATE	BY	CHKD	SHEET		OF		PART NUMBER		DRAWING NUMBER	
				2		2		NONE		W/D101	
WIRING DIAGRAM										GOLIATH P/U, VERT	
CHIEF AUTOMOTIVE TECHNOLOGIES											

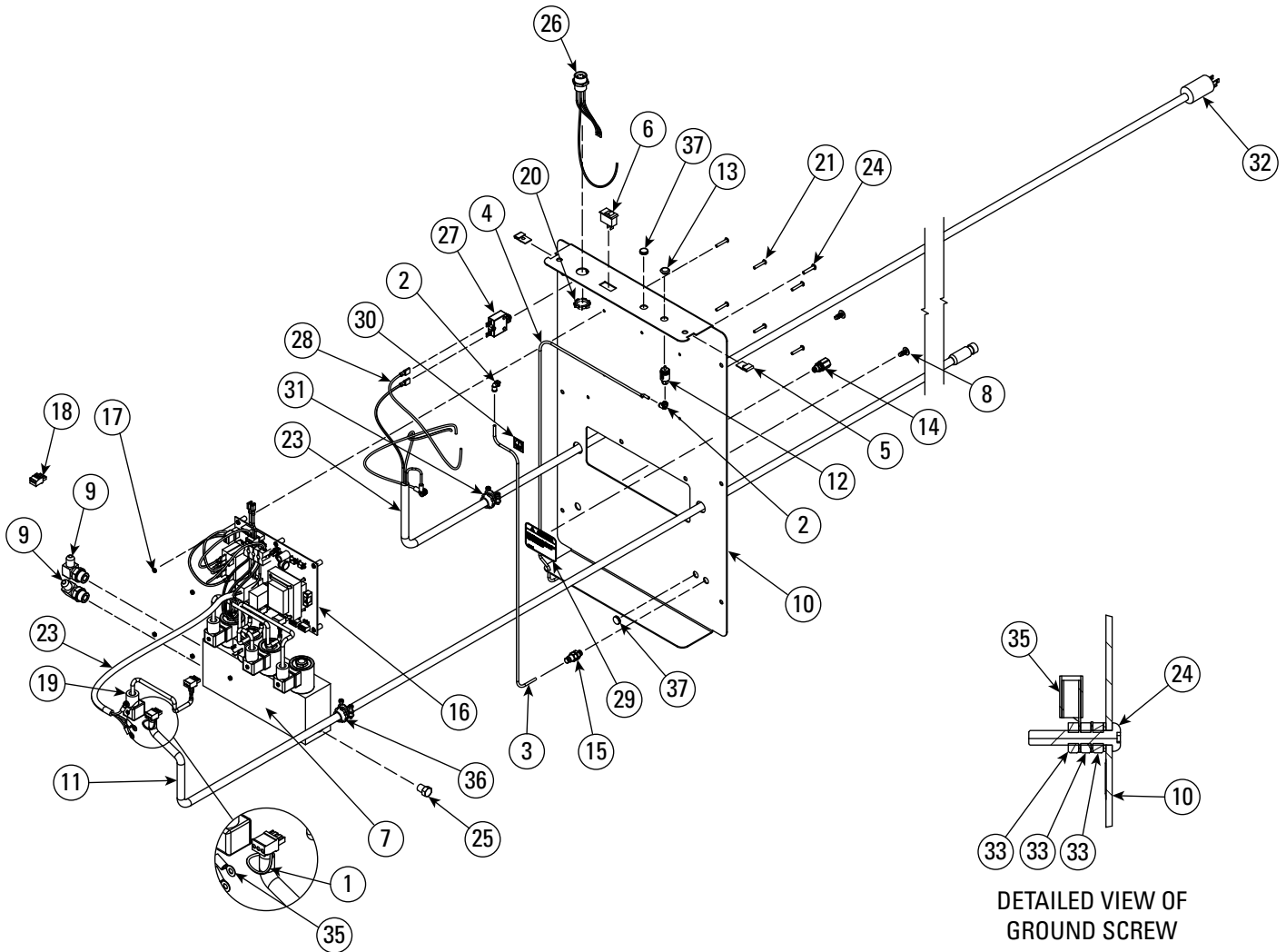
GOLIATH 115VAC 50/60 HZ SINGLE PHASE PUMP CABINET, BOSCH/REXROTH



CABINET TOP

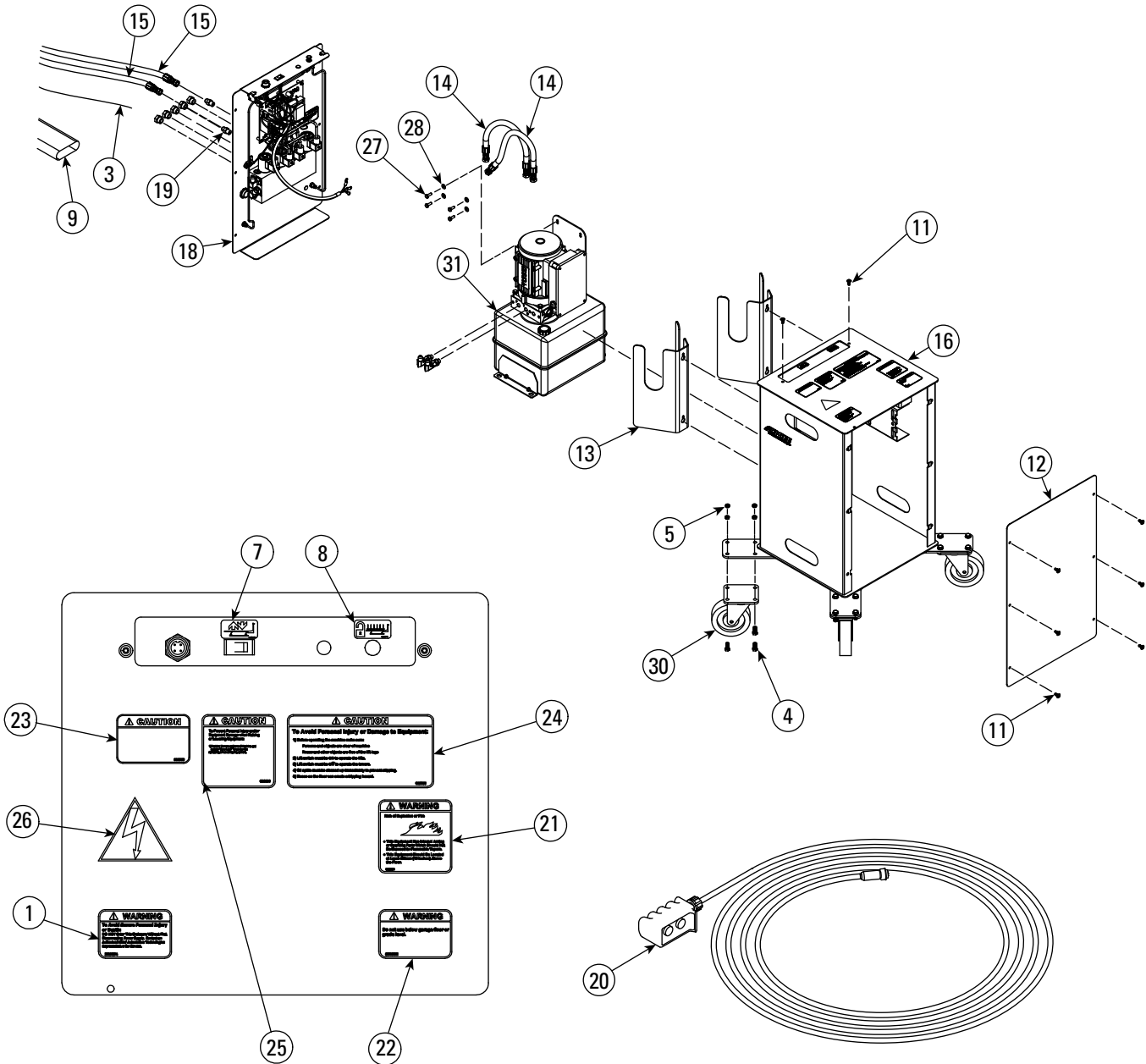
Parts List		
ITEM	P/N	DESCRIPTION
1	305094	Decal, Warning - Entering Enclosure
2	305722	Connector, Male Flat Face
3	305801	Tubing, 5/32" Soft Nylon, Natural
4	41462	M8 x 1.25 x 20mm Lg. HHCS
5	41541	M8 x 1.25 Hex Flanged WZ Locknut
6	NA	NA
7	450057B	Decal, B of 450057
8	450057C	Decal, C of 450057
9	450452	Hose Protector, eVHT Cabinet
10	450453	Nut, 1/4-20 NC J Style Clip
11	450459	Screw, 1/4-20 x 3/4" Button Head Torx Plus
12	450466	Panel, E/VHT Pump Cabinet Front
13	450469	Bracket, E/VHT Cabinet Hose Holder
14	450474	Hose, -6FJX to -6FJX 30" Long x 3/8" ID
15	450497	Hose, E/VHT Cabinet to Lift
16	450570	Weldment, Cabinet
17	450988	#8 O Ring Boss Plug, Hex Head
18	451185	Assembly, Goliath Cabinet Back Panel, 115VAC 50/60HZ Single Phase
19	601046	Straight Adapter, 6400-6-6
20	611119	Mini Line Cord Ass'y
21	692001	Decal, Warning - Explosion / Fire Risk
22	692002	Decal, Warning - Below Grade / Floor Level
23	692053	LABEL, CAUTION LOCK LEVEL IMP-VHT
24	692055	LABEL, CAUTION, LIFT SWITCH ON/OFF
25	692096	LABEL, CAUTION CROSSMEMBER POSITION
26	692144	Decal, Warning - High Voltage
27	706409	Bolt, 1/4-20NC x 3/4" Gr2 Plated
28	707410	WASHER, 1/4 SAE FLAT
29	788190	DECAL, CHIEF AUTOMOTIVE LOGO
30	788981	Total Lock 5" Castor
31	OS450451	Assembly, Oil Sistem eVHT Power Unit

GOLIATH PUMP CABINET BACK PANEL, 115VAC 50/60 HZ SINGLE PHASE, BOSCH/REXROTH



Parts List		
ITEM	P/N	DESCRIPTION
1	16106	12GA. Wire Green w/ Yellow Stripe
2	305797	Fitting, 10-32 Microlok, 90 dg
3	305801	Tubing, 5/32" Soft Nylon Natural
4	305848	Tubing, 5/32" Soft Nylon Black
5	450453	Nut, 1/4-20 NC J Style Clip
6	450454	Switch, E/VHT Lift/Tower Rocker
7	450455	Assembly, E/VHT Hydraulic Manifold
8	450459	Screw, 1/4-20 x 3/4" Button Head Torx Plus
9	450483	Adapter, -8 ORB to -6 JIC Swivel 90
10	450576	Panel, Cabinet Rear
11	450595	Control Cord, 240" Four Conductor Mini-Line
12	450883	Normally Closed 3-Way Spool Valve
13	450889	Button Actuator / 1/8" Stem
14	450950	Fitting, 5/32 PTL to 1/4 NPT Female Bulkhead
15	450951	Bulkhead Fitting, 5/32 PTL
16	450952	PCB Assembly
17	450957	Nut, #8-32 Nylock
18	450963	Connector, 3 Pos Header 5.08 Pitch
19	450977	Wire Harness, PCB to Coils
20	450979	1/2 Conduit Lock, Tooth Nut
21	450982	Screw, 8-32 x 1 Button Head Hex
22	450986	12 GA Wire, Stranded Black 600V
23	450989	Power Cord, 12-3 SOJ
24	451232	Screw, 10-24 x 1 Button Head Hex
25	601026	Plug, 1/4 NPT
26	620242	Pig-Tail, Female Mini-Line Cord
27	638270	Circuit Breaker, Pump Motor, 120V 25A
28	638272	Quick Connect, Female 1/4" x 10-12 Gauge
29	692003	Decal, Caution - Fuse Replacement
30	692004	Decal, Ground Symbol
31	692271	Strain Relief Connector, 3/4"
32	694060	Plug, Industrial Grounding
33	796010	Nut, 10-24 Hex Plated
34	796460	Washer, #10, Int. Tooth Lock, Type-A,
35	796494	Ring Terminal, #10 Stud 10-12 AWG Insulated
36	798498	Strain Relief Connector, 1/2"
37	FA7958-9	1/2" Hole Plug

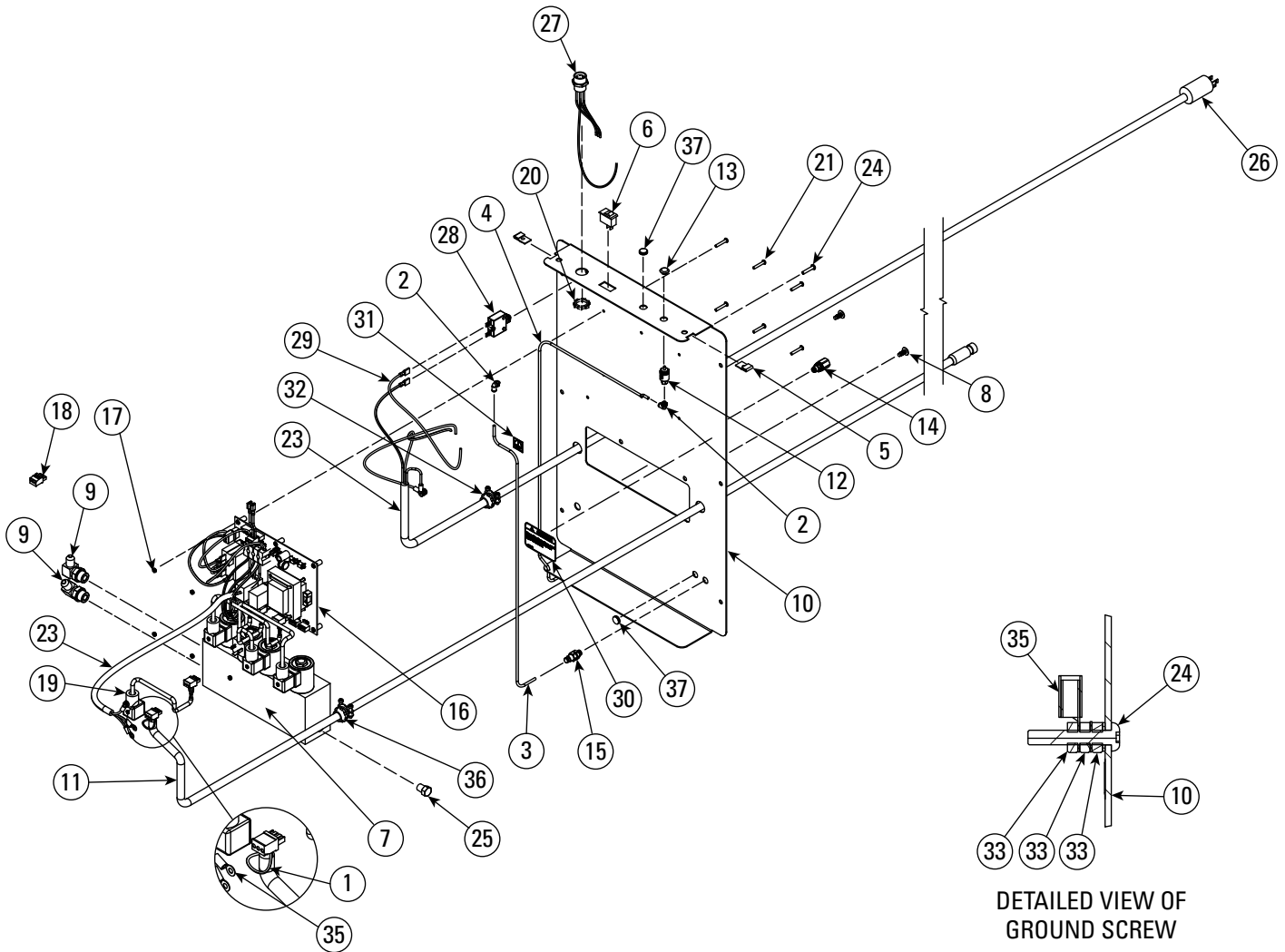
GOLIATH 208VAC 50/60 HZ SINGLE PHASE PUMP CABINET, BOSCH/REXROTH



CABINET TOP

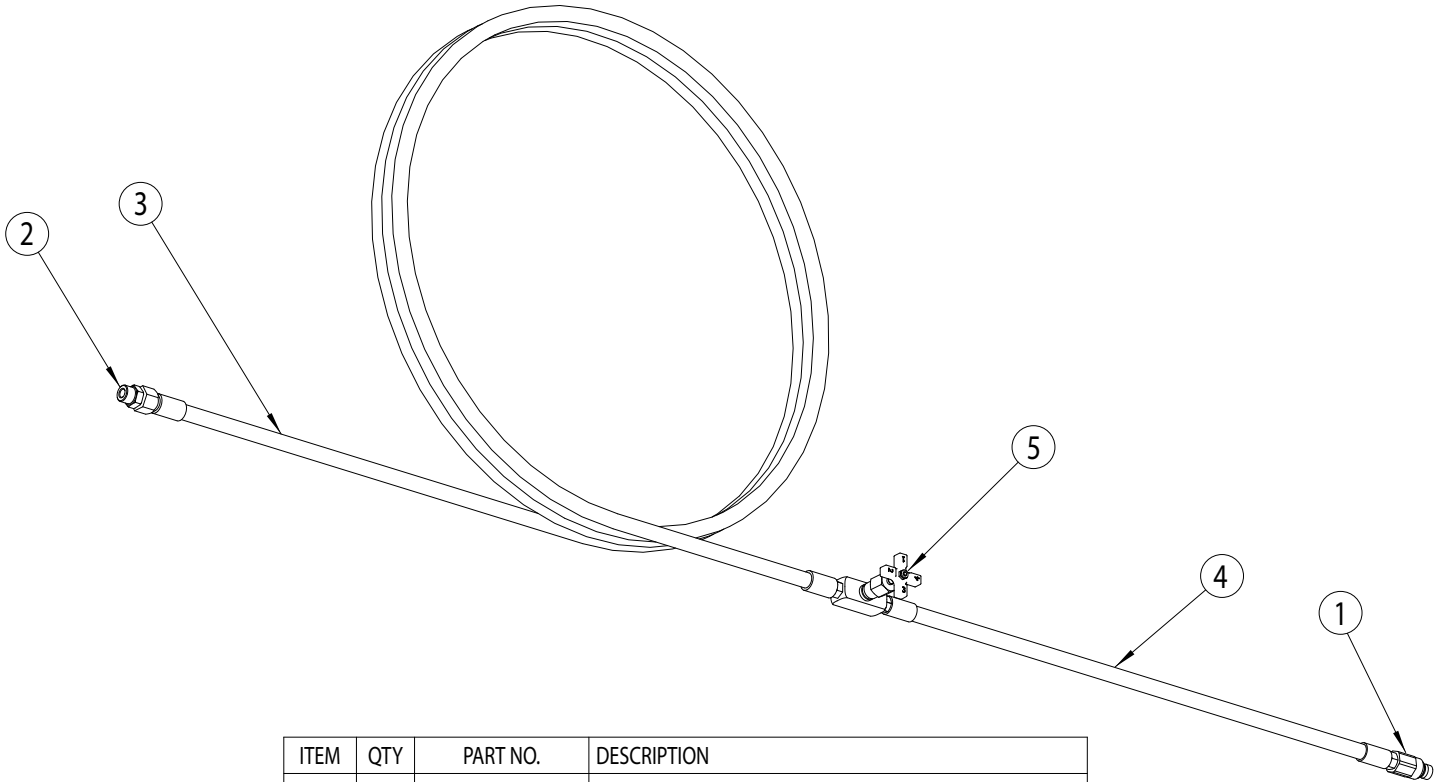
Parts List		
ITEM	P/N	DESCRIPTION
1	305094	Decal, Warning - Entering Enclosure
2	305722	Connector, Male Flat Face
3	305801	Tubing, 5/32" Soft Nylon, Natural
4	41462	M8 x 1.25 x 20mm Lg. HHCS
5	41541	M8 x 1.25 Hex Flanged WZ Locknut
6	NA	NA
7	450057B	Decal, B of 450057
8	450057C	Decal, C of 450057
9	450452	Hose Protector, eVHT Cabinet
10	450453	Nut, 1/4-20 NC J Style Clip
11	450459	Screw, 1/4-20 x 3/4" Button Head Torx Plus
12	450466	Panel, E/VHT Pump Cabinet Front
13	450469	Bracket, E/VHT Cabinet Hose Holder
14	450474	Hose, -6FJX to -6FJX 30" Long x 3/8" ID
15	450497	Hose, E/VHT Cabinet to Lift
16	450570	Weldment, Cabinet
17	450988	#8 O Ring Boss Plug, Hex Head
18	451187	Assembly, Goliath Cabinet Back Panel, 208VAC 50/60HZ Single Phase
19	601046	Straight Adapter, 6400-6-6
20	611119	Mini Line Cord Ass'y
21	692001	Decal, Warning - Explosion / Fire Risk
22	692002	Decal, Warning - Below Grade / Floor Level
23	692053	LABEL, CAUTION LOCK LEVEL IMP-VHT
24	692055	LABEL, CAUTION, LIFT SWITCH ON/OFF
25	692096	LABEL, CAUTION CROSSMEMBER POSITION
26	692144	Decal, Warning - High Voltage
27	706409	Bolt, 1/4-20NC x 3/4" Gr2 Plated
28	707410	WASHER, 1/4 SAE FLAT
29	788190	DECAL, CHIEF AUTOMOTIVE LOGO
30	788981	Total Lock 5" Castor
31	OS450451	Assembly, Oil Sistem eVHT Power Unit

GOLIATH PUMP CABINET BACK PANEL, 208VAC 50/60 HZ SINGLE PHASE, BOSCH/REXROTH



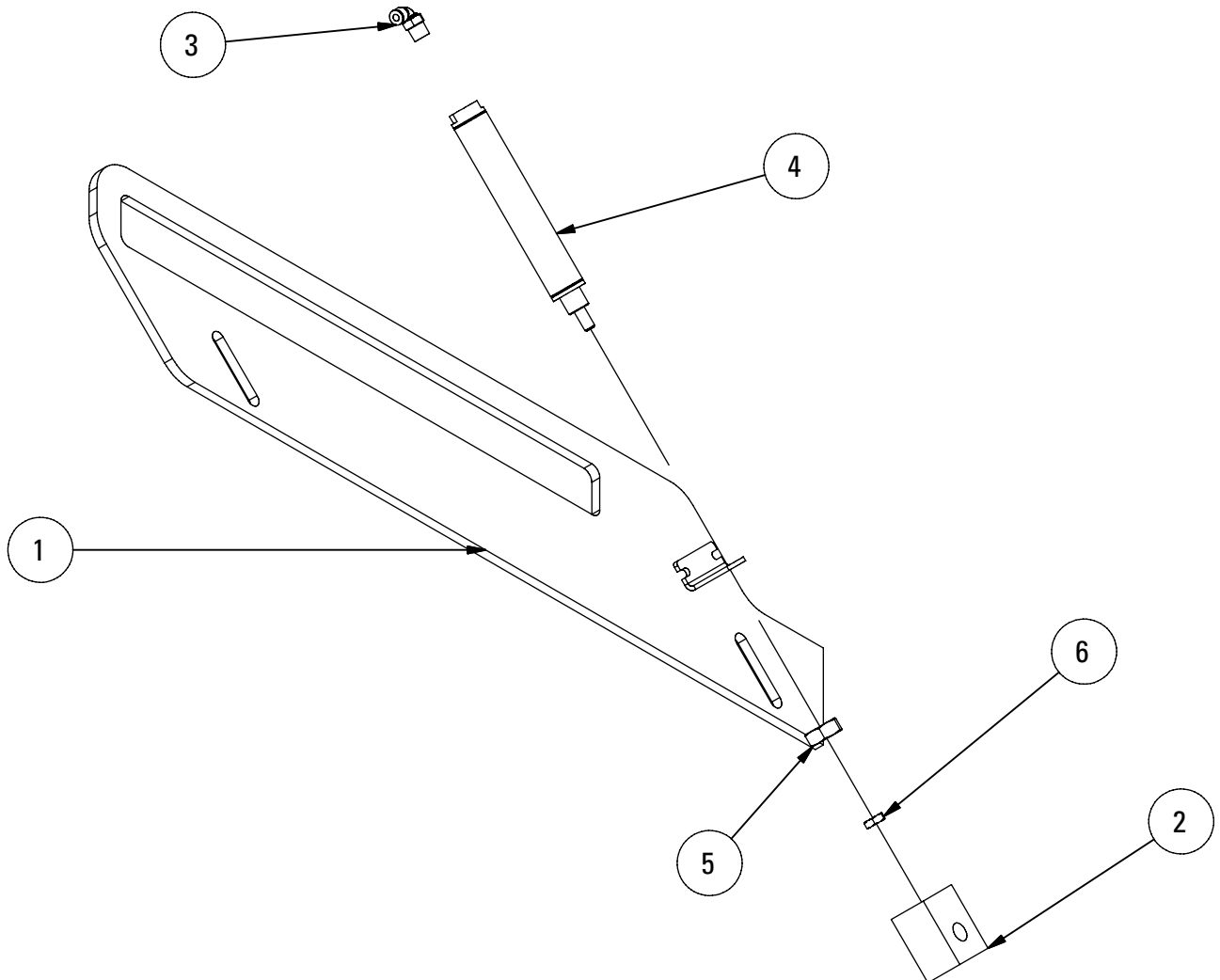
Parts List		
ITEM	P/N	DESCRIPTION
1	16106	12GA. Wire Green w/ Yellow Stripe
2	305797	Fitting, 10-32 Microlok, 90 dg
3	305801	Tubing, 5/32" Soft Nylon Natural
4	305848	Tubing, 5/32" Soft Nylon Black
5	450453	Nut, 1/4-20 NC J Style Clip
6	450454	Switch, E/VHT Lift/Tower Rocker
7	450455	Assembly, E/VHT Hydraulic Manifold
8	450459	Screw, 1/4-20 x 3/4" Button Head Torx Plus
9	450483	Adapter, -8 ORB to -6 JIC Swivel 90
10	450576	Panel, Cabinet Rear
11	450595	Control Cord, 240" Four Conductor Mini-Line
12	450883	Normally Closed 3-Way Spool Valve
13	450889	Button Actuator / 1/8" Stem
14	450950	Fitting, 5/32 PTL to 1/4 NPT Female Bulkhead
15	450951	Bulkhead Fitting, 5/32 PTL
16	450952	PCB Assembly
17	450957	Nut, #8-32 Nylock
18	450963	Connector, 3 Pos Header 5.08 Pitch
19	450977	Wire Harness, PCB to Coils
20	450979	1/2 Conduit Lock, Tooth Nut
21	450982	Screw, 8-32 x 1 Button Head Hex
22	450986	12 GA Wire, Stranded Black 600V
23	450989	Power Cord, 12-3 SOJ
24	451232	Screw, 10-24 x 1 Button Head Hex
25	601026	Plug, 1/4 NPT
26	601146	Plug, 250V 20A 3-Wire 2-Pole
27	620242	Pig-Tail, Female Mini-Line Cord
28	638270	Circuit Breaker, Pump Motor, 120V 25A
29	638272	Quick Connect, Female 1/4" x 10-12 Gauge
30	692003	Decal, Caution - Fuse Replacement
31	692004	Decal, Ground Symbol
32	692271	Strain Relief Connector, 3/4"
33	796010	Nut, 10-24 Hex Plated
34	796460	Washer, #10, Int. Tooth Lock, Type-A,
35	796494	Ring Terminal, #10 Stud 10-12 AWG Insulated
36	798498	Strain Relief Connector, 1/2"
37	FA7958-9	1/2" Hole Plug

ASSEMBLY - AUXILIARY LINE, 450750



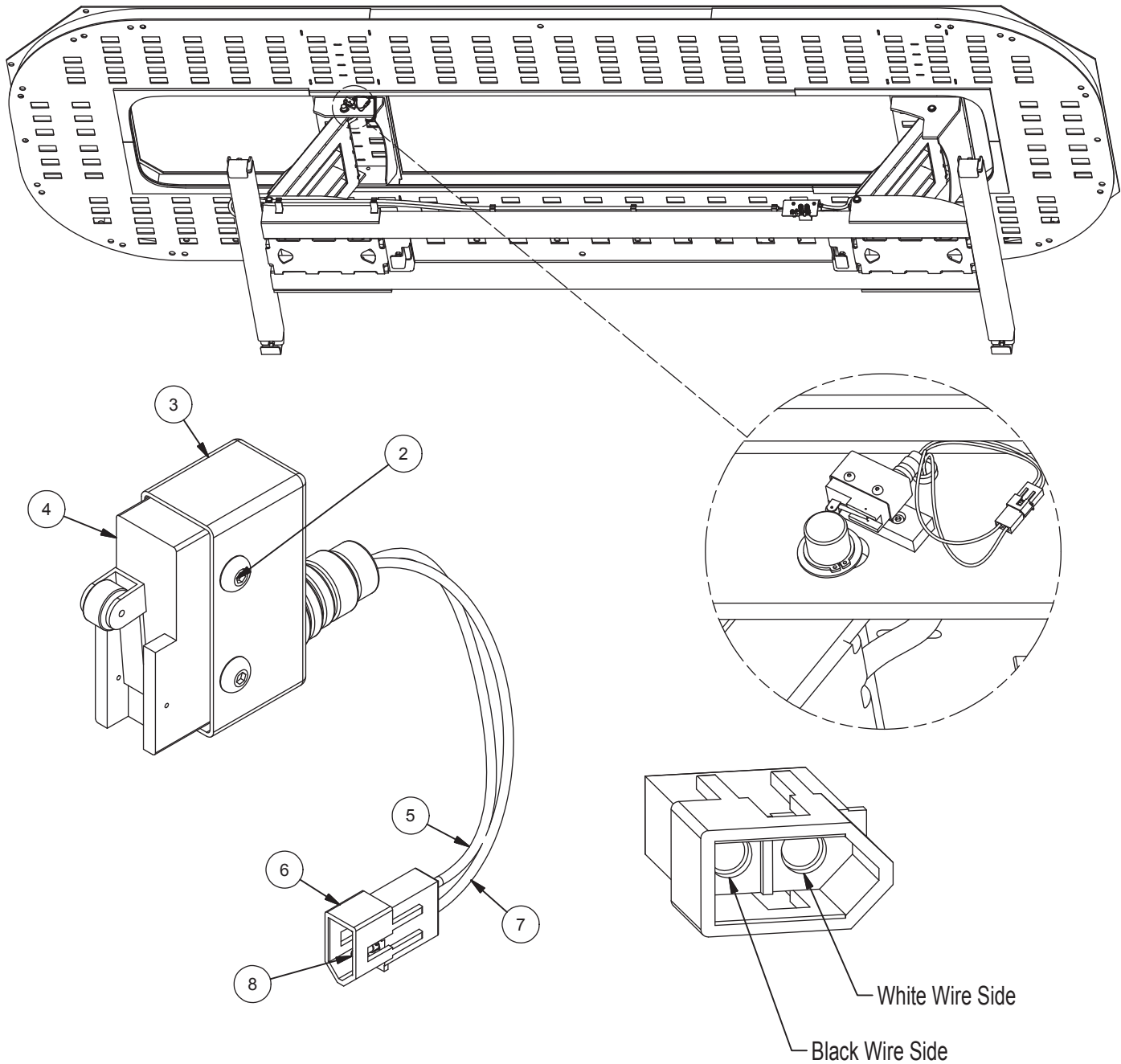
ITEM	QTY	PART NO.	DESCRIPTION
1	1	305722	CONNECTOR, MALE FLAT FACE
2	1	450489	STRAIGHT ADAPTER, 8MB-8MJ
3	1	450742	HOSE 300" LG X 3/8" ID -8 JIC FEMALE TO -6 ORB MALE
4	1	450743	HOSE 55" LG X 3/8" ID -6 ORB MALE to -6 ORB MALE
5	1	687345	VALVE, AUXILIARY LINE 3/8"

EXPLODED VIEW - UNLOCK BAR



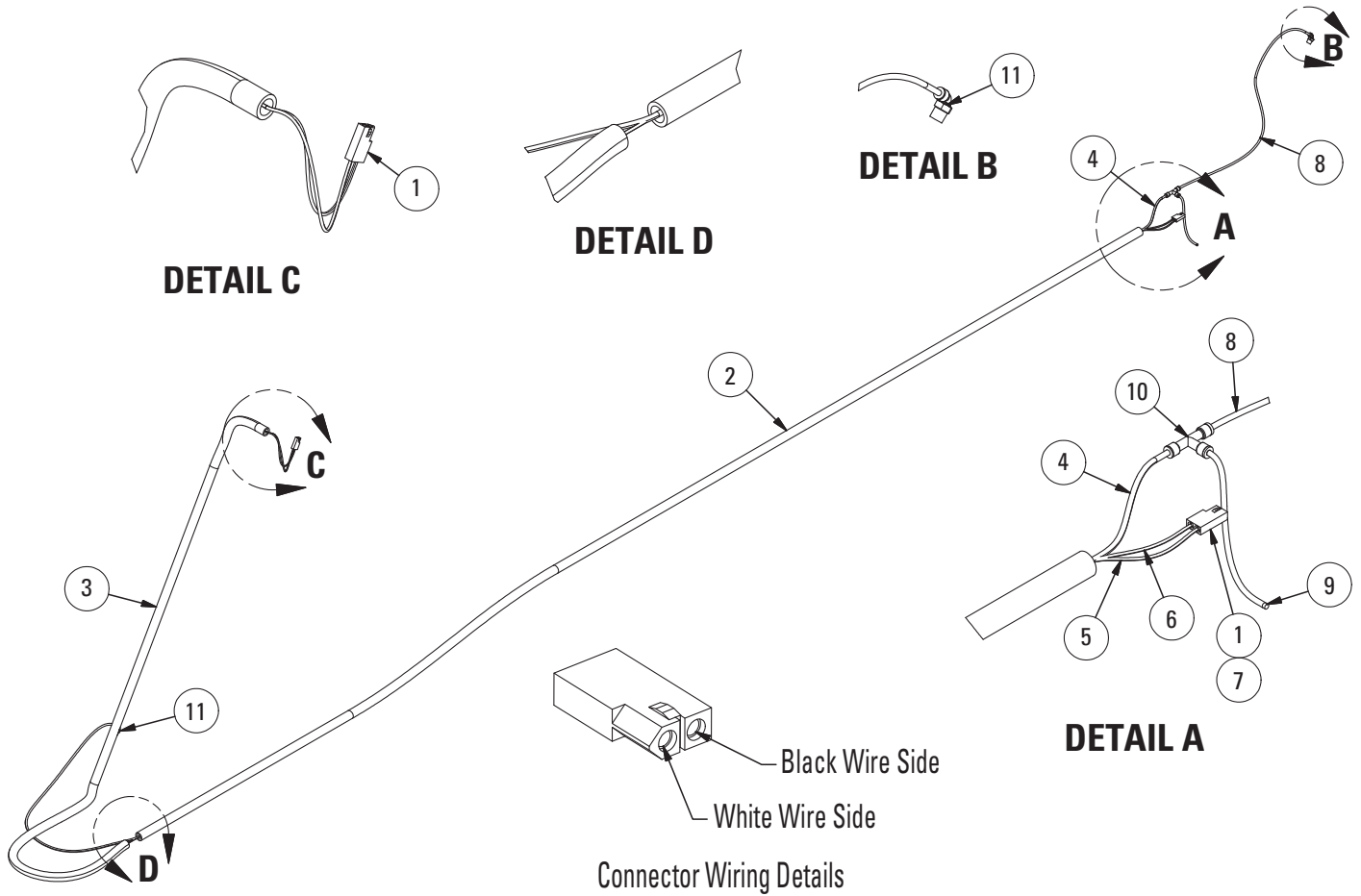
Parts List		
ITEM	P/N	DESCRIPTION
1	450865	Weldment, Impulse VHT Unlock
2	450443	Rod Eye, Impulse VHT Unlock
3	450858	Fitting, Pneumatic, 1/8 NPT to 5/32 Press-to-Lock 90
4	450862	Pneumatic Cylinder, 3/4" bore x 2" stroke spring return
5	450863	Nut, 1/2-20 UNF Jam
6	450868	Nut, 1/4-28 UNF Hex Jam

TILT SWITCH ASSEMBLY



Parts List		
ITEM	P/N	DESCRIPTION
1	795341	Snap Spade, #8 Stud 18-20 AWG Insulated
2	450982	Screw, 8-32 x 1 Button Head Hex
3	450955	Cover, With Strain Relief For Snap Action Switch
4	450444	Switch, E/VHT Tilt
5	450085	Black Wire, 18AWG x 7"
6	450087	Connector Plug 2-Position, Natural Color
7	450091	White Wire, 18AWG x 7"
8	450096	Connector Terminal, Male, 14-20AWG TIN

GOLIATH REAR AIRLINE AND ELECTRICAL ROUTING ASSEMBLY



Parts List		
ITEM	P/N	DESCRIPTION
1	450086	Connector Receptacle 2-position, Natural Color
2	450090	1/2" ID x 123" Flexible Conduit
3	450092	1/2" x 68" Flexible Conduit
4	450093	5/32" OD x 168" Black Tubing
5	450094	Black Wire, 18AWG x 200"
6	450095	White Wire, 18AWG x 200"
7	450097	Connector Terminal, Female, 14-20AWG TIN
8	450164	5/32" OD x 27", Black Plastic Tubing
9	450165	5/32" OD x 6", Natural Color Plastic Tubing
10	450932	Union T, 5/32" Press-to-Lock
11	450858	1/8" NPT to 5/32" Press-to-Lock Elbow



996 Industrial Drive
Madison, IN 47250
Phone: 800-445-9262
Fax: 866-275-0173

www.chiefautomotive.com

**Chief reserves the right to alter product specifications
and/or package components without notice.**