

# MI300T

## THREE-PHASE SPOT WELDER

Chief's MI300T high performance spot welder is the ideal solution for all high strength steel body repairs.

### Easy to handle with reduced weight

Features the new GENIUS clamp allowing an automatic retraction of the electrodes for quick access of the welding area. Auto-mode allows welding without entering any parameters into the machine cutting welding time in half. Water lines automatically connect when changing arms reducing set up time.

### INTELLIGENT WELDING

**AUTO mode:** automatically recognizes steel type, sheet-metal thickness

### Multiple programs available:

Normal, Manual, Multi, Auto, Manufacturer and Energy

**Tracking** saves the characteristics of each welding spot to the SD card



Reversible clamp support

### Features:

- Watercooled power cables, electrodes and caps
- 5.7" LCD screen
- Automatic adjustment of pressure between electrodes
- Spot count feature to determine the caps lifetime
- 80 mm of automatic opening capacity (20 mm at rest)

### G1 arm features a motorized and adjustable overhanging arm with pulley.

- Easy to handle, the overhanging arm allows the height to be adapted to all working conditions
- Extends 47" out and up to 100" up from the power source creating a wide working area.
- Rotates up to 30°
- Foldable to optimize space

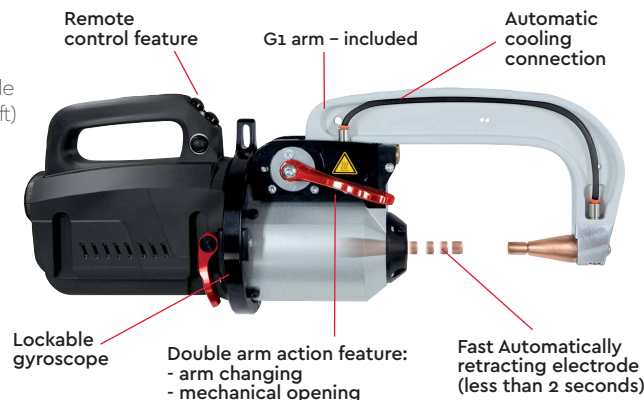
### Available power supply:

MI300T #CELO69176 ▶ 208V-240V / 40 amp fuse  
- 3 phase power

MI300T #CELO71223 ▶ 480V / 20 amp fuse  
- 3 phase power

### Multifunction gun - single-point, swaging, studs, bolts, washers

- Easy arm rotation – access hard to reach areas
- Automatic cooling connection
- Remote controlled clamp controls opening and welding adjustments
- Lockable Gyroscope  
– ball bearing, integrated into the clamp body
- Handle, lever and reversible clamp support (right or left)



### SPECIFICATIONS

Power Supply	208-240V or 480v
Fuse	40 A slow blowing for 208v 20 A for 480v
Frequency	50/60 Hz
Supply Power	14 kVA (80 kVA max)
Nominal Power by 50% ED	20kVA
Welding Current Max.	14,500 A DC (at 230V)
Electrode Force	550 daN with 8 bars (1236 lbf with 116 PSI)
Ambient Temperature	41° to 113° F (5° to 45° C)
Protective System	IP 21
Weight w/o Accessories	Approx. 220 lbs. (100 kg)
Pliers Weight	23.1 lbs. (10.5 kg)
Dimensions H / W / D	36.4" / 25.6" / 31.5" (92.5 x 65 x 80 cm)
Cable Length	Input mains cable: 26' (8m) Weld cable: 20' (6m)
Cooling Liquid Capacity	8 gallons (30 liters)

## Mi300T standard equipment



MI300i unit

Monopoint electrode

Inertia hammer

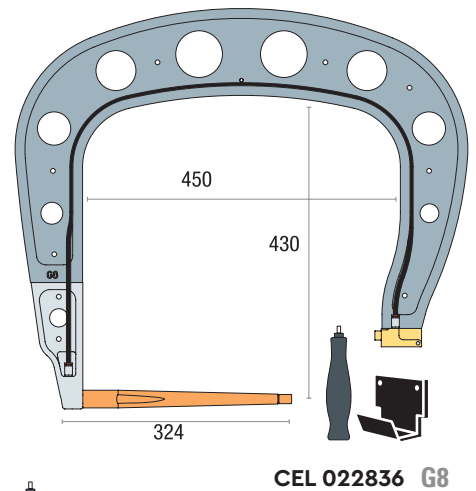
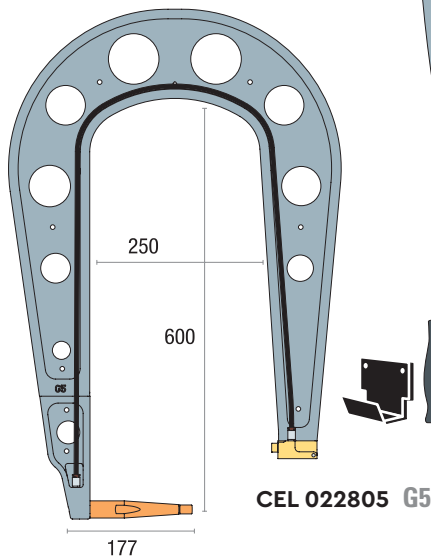
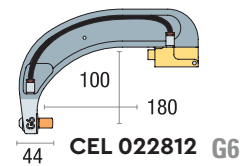
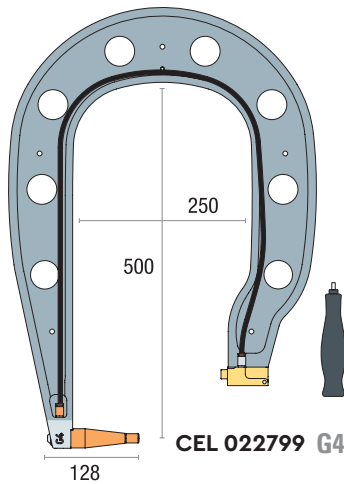
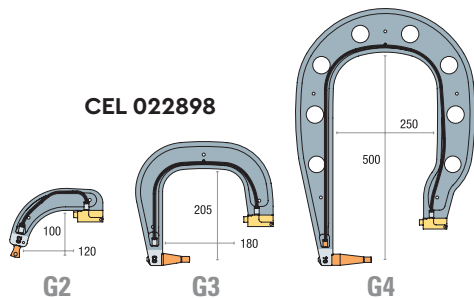
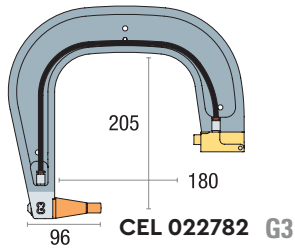
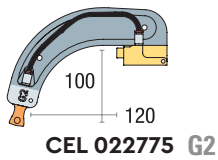
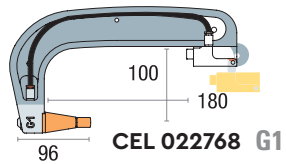
Consumables box

Cap remover

Arm support

G1 Arm

## Optional arms



Improve the speed, quality and profitability of every repair you make.  
 Contact your local distributor or call Chief Collision Technology today.  
**800-445-9262 / chieftechnology.com**

©2021 VEHICLE SERVICE GROUP<sup>SM</sup>  
 Printed in the U.S.A. All Rights Reserved. Unless otherwise indicated, CHIEF AUTOMOTIVE TECHNOLOGIES, VEHICLE SERVICE GROUP<sup>SM</sup>, DOVER and all other trademarks are property of the Dover Corporation and its affiliates. Chief Automotive Technologies reserves the right to alter product specifications and/or package components without notice or liability, excluding changes to components subject to FCC & IC regulations.

CHIEF Mi300T 08/21