

Vertical Surface Attachments

For Chief Computerized Measuring Systems

USERS MANUAL



CHIEF'S LIMITED ONE-YEAR WARRANTY & LIABILITY

Chief Automotive Technologies, Inc. warrants for one year from date of installation and/or purchase any of its products which do not perform satisfactorily due to defect caused by faulty material or workmanship. Chief's obligation under this warranty is limited to the repair or replacement of products which are defective and which have not been misused, carelessly handled, or defaced by repair or repairs made or attempted by others.

CHIEF AUTOMOTIVE TECHNOLOGIES, INC. DOES NOT ASSUME RESPONSIBILITY FOR ANY DEATH, INJURY OR PROPERTY DAMAGE RESULTING FROM THE OPERATOR'S NEGLIGENCE OR MISUSE OF THIS PRODUCT OR ITS ATTACHMENTS. CHIEF MAKES NO WRITTEN, EXPRESS OR IMPLIED WARRANTY WHATSOEVER OF MERCHANTABILITY OR FITNESS FOR A PARTICULAR PURPOSE OR OTHERWISE REGARDING THE EQUIPMENT OR ANY PART OF THE PRODUCT OTHER THAN THE LIMITED ONE-YEAR WARRANTY STATED ABOVE.

Returned merchandise requires a "RETURNED GOODS AUTHORIZATION NUMBER" on the package. Authorization numbers can be obtained by calling or writing the Customer Service Department, Chief Automotive Technologies, Inc. No returned merchandise will be accepted without an authorization number. All returned merchandise must be shipped freight prepaid (and may be subject to a handling and restocking charge) to:

Chief Automotive Technologies, Inc.
Attn: Returned Goods Dept.
1924 E. Fourth St.
P.O. Box 1368
Grand Island, Ne. 68802
308-384-9747

or

Your Authorized
Chief Automotive Technologies, Inc.
Representative

Vertical Surface Attachments allow Genesis Measuring System to make a variety of upper body comparison measurements. Some of these include door hinges, strikers, secondary latches, quarter panels, radiator supports and rear body panels. Vertical Surface Attachments are secured to flat, vertical surfaces by means of either a Magnetic Base, Adhesive Base, or a Threaded Base. Each style of base supports a Mounting Rod that holds the Target at an appropriate height below the vehicle.

IMPORTANT: Determine which base will be used and then clean and dry mounting surface using a wax and grease remover.

- Use Magnetic Base for securing assembly to flat, vertical metal surfaces.
- Use Adhesive Base for securing assembly to flat, vertical non-metal surfaces (plastics, fiberglass, etc.)
- Use Threaded Base when appropriate size bolt holes are available on flat, vertical surfaces.

Although the following procedures reference the **Magnetic Base**, instructions for Adhesive Base and Threaded Base are very similar. Special notations regarding the Adhesive Base and Threaded Base follow these procedures.

1. Thread Mounting Rod onto Magnetic Base (see Figure 1) and attach base to desired location on vehicle. (See Figure 2.)



Figure 1



Figure 2

2. Attach Target to the assembly. The ball at end of Target stem fits in ball socket on Mounting Rod allowing Target to be suspended in vertical position. If additional length is needed for positioning Target below vehicle, use one or more Extension Rods.

NOTE: Extension Rods are provided in three lengths (100mm, 200mm, and 300mm). When used, a Ball Attachment and a Ball Socket Coupler are secured to each rod. The ball fits in socket on Mounting Rod and ball at end of Target fits in Ball Socket Coupler. (See Figure 3.) Extension Rods can also be used to expand length of Mounting Rod when it is necessary to project Target outboard of lower body obstructions. (See Figure 4.)

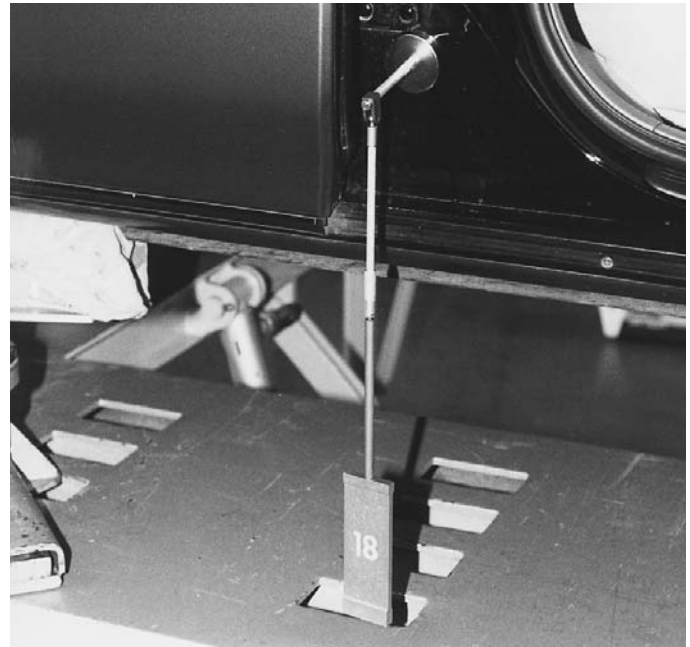


Figure 3

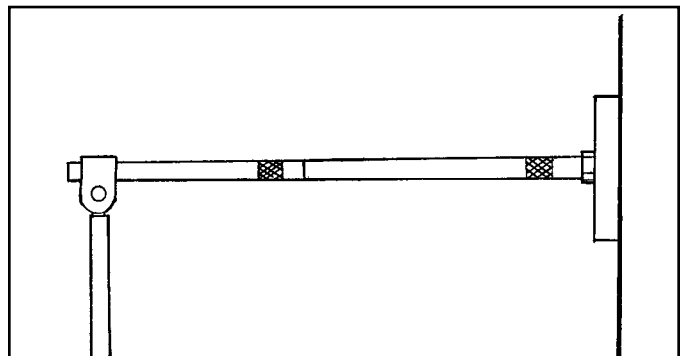


Figure 4

3. Repeat Steps 1 and 2 when mounting Target on opposite side of vehicle.

IMPORTANT: Target assemblies must match from one side of vehicle to the other. Position base assemblies at identical locations and use same number and length of Extension Rods on each side.

Adhesive Base (Optional)

Thread Mounting Rod onto Adhesive Base and then apply double-sided tape to flat surface of Adhesive Base. (See Figure 5.) Trim off excess tape (see Figure 6), peel off tape backing, and secure the assembly to desired location on vehicle (see Figure 7).

NOTE: Double-sided tape is not included. Body moulding tape is recommended.

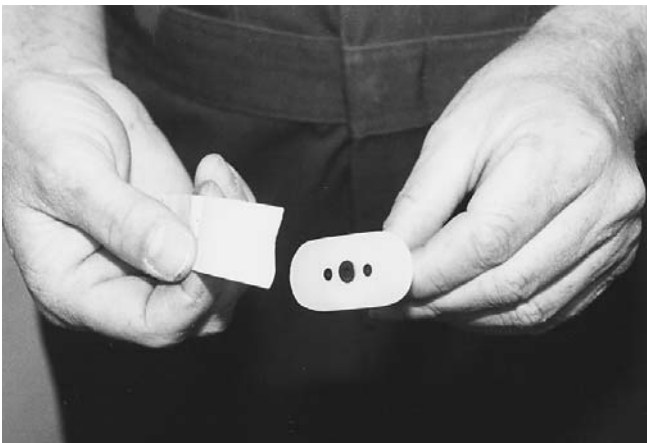


Figure 5



Figure 6



Figure 7

Threaded Base

Threaded Bases are provided in three different sizes . . . 6mm bolt, 8mm bolt, and 10mm bolt. Their use is dependent upon size of existing bolt holes on vehicles flat, vertical surfaces. After selecting appropriate size Threaded Base, attach it to Mounting Rods (See Figure 8.) Then mount the assembly to bolt hole on vehicle. (See Figure 9.) Thread bolt completely into the bolt hole.

IMPORTANT: When using Threaded Bases, use identical mounting holes on each side of the vehicle.



Figure 8



Figure 9

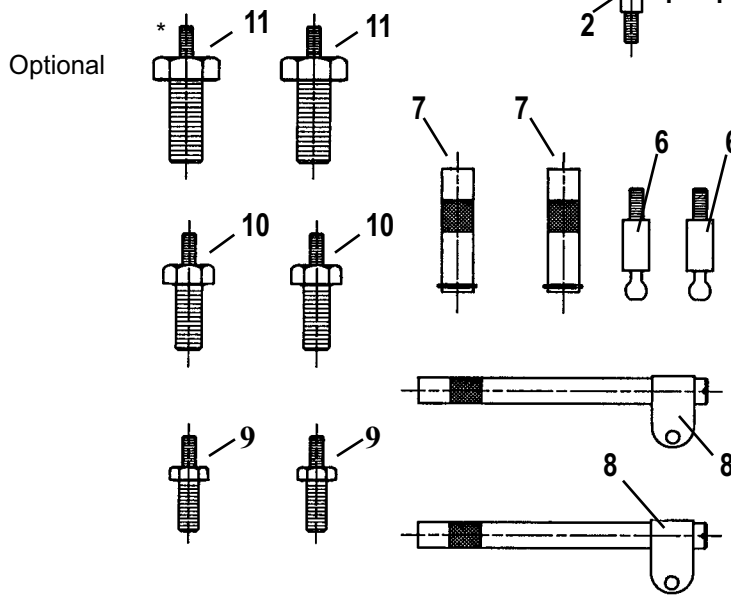
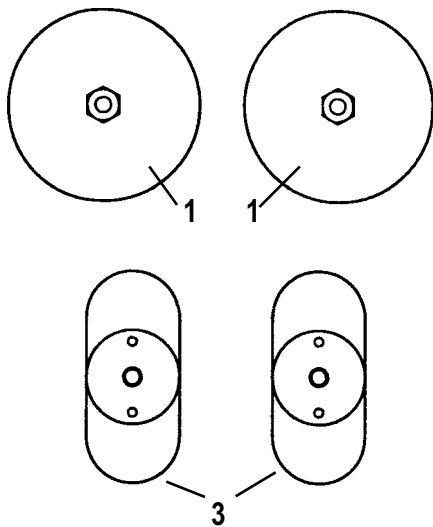
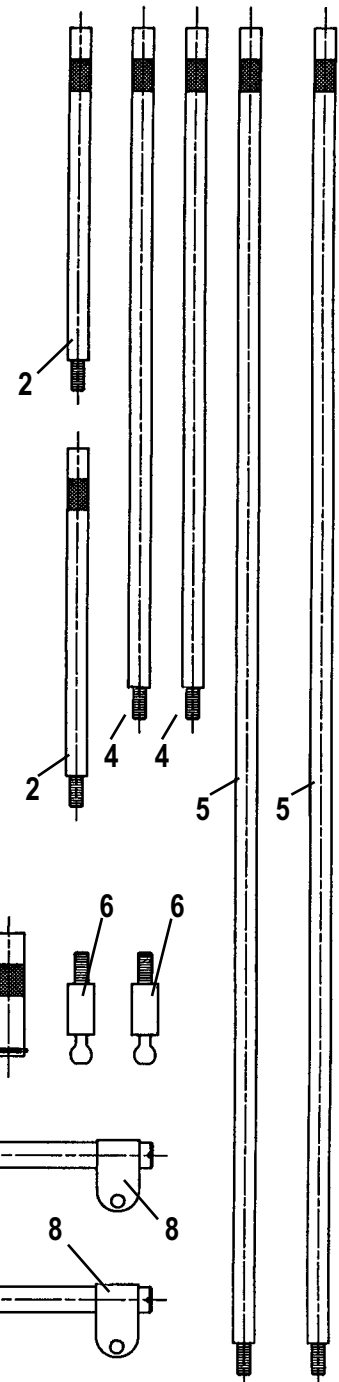
Parts Information

To order replacement parts for the Genesis Vertical Surface Attachments, contact Chief Automotive Technologies, Inc., 308-384-9747. (If outside the United States, contact your nearest Chief Automotive Technologies, Inc. representative.)

When contacting Chief Automotive Technologies, Inc., provide the following information: your name, name of your shop, shop telephone number, and shop address. Additional information needed when ordering: description of part(s) and part number(s) — see parts list below and parts illustration.

NOTE: Chief reserves the right to alter product specifications and/or package components without notice.

Item	Part No.	Qty.	Description
1	799805	2	Magnetic Base
2	799800	2	Extension Rod, 100mm
3	799806	2	Adhesive Base (Optional)
4	799801	2	Extension Rod, 200mm
5	799802	2	Extension Rod, 300mm
6	799810	2	Ball Attachment
7	799804	2	Ball Socket Coupler
8	799803	2	Mounting Rod
9	799807	2	Threaded Base, Metric (M6)
10	799808	2	Threaded Base, Metric (M8)
11	799809	2	Threaded Base, Metric (M10)
*	790697	1	Tape, Double-Coated (22.5m)





P.O. Box 1368
Grand Island, Nebraska 68802-1368
Phone: 308/384-9747
Fax: 308/384-8966

www.chiefautomotive.com

**Chief reserves the right to alter product specifications
and/or package components without notice.**