

Velocity Measuring System

PARTS MANUAL



PARTS INFORMATION

If it becomes necessary to order replacement parts or accessories for your Velocity Measuring System, or contact a service representative, call the Chief Automotive Systems, Inc. 24-hour toll-free telephone number (800-445-9262). If located outside the United States, contact an authorized Chief Automotive Systems, Inc. representative.

When contacting Chief Automotive Systems, Inc. by telephone or mail, provide the following information: name, name of shop, shop telephone number, shop address, a description of the part and the part number, if available. In addition, note the method of payment and shipping charges.

CHIEF'S LIMITED ONE-YEAR WARRANTY & LIABILITY

Chief Automotive Systems, Inc. warrants for one year from date of installation and/or purchase any of its products which do not perform satisfactorily due to defect caused by faulty material or workmanship. Chief's obligation under this warranty is limited to the repair or replacement of products which are defective and which have not been misused, carelessly handled, or defaced by repair or repairs made or attempted by others.

CHIEF AUTOMOTIVE SYSTEMS, INC. DOES NOT ASSUME RESPONSIBILITY FOR ANY DEATH, INJURY OR PROPERTY DAMAGE RESULTING FROM THE OPERATOR'S NEGLIGENCE OR MISUSE OF THIS PRODUCT OR ITS ATTACHMENTS. CHIEF MAKES NO WRITTEN, EXPRESS OR IMPLIED WARRANTY WHATSOEVER OF MERCHANTABILITY OR FITNESS FOR A PARTICULAR PURPOSE OR OTHERWISE REGARDING THE EQUIPMENT OR ANY PART OF THE PRODUCT OTHER THAN THE LIMITED ONE-YEAR WARRANTY STATED ABOVE.

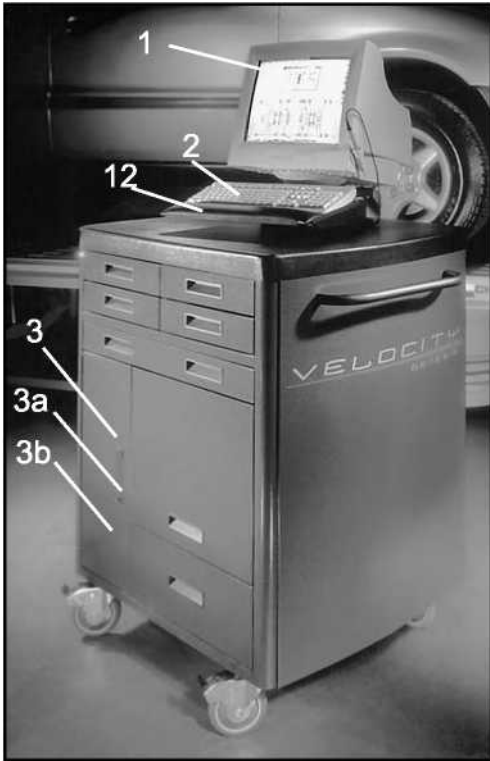
Returned merchandise requires a "RETURNED GOODS AUTHORIZATION NUMBER" on the package. Authorization numbers can be obtained by calling or writing the Customer Service Department, Chief Automotive Systems, Inc. No returned merchandise will be accepted without an authorization number. All returned merchandise must be shipped freight prepaid (and may be subject to a handling and restocking charge) to:

Chief Automotive Systems, Inc.
Attn: Returned Goods Dept.
1924 E. Fourth St.
P.O. Box 1368
Grand Island, Ne. 68802
308-384-9747

or

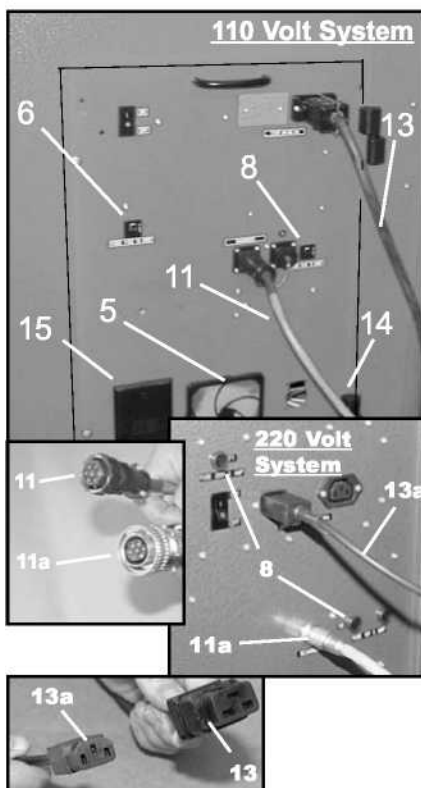
Your Authorized
Chief Automotive Systems, Inc.
Representative

Workstation



REF.	PART NO.	DESCRIPTION
1	**	Monitor
2	**	Keyboard, enhanced
3	788550	NA Workstation, Complete (110 volt)
3a	788555	CE Workstation, Complete (220 volt)
3b	788560	CSA Workstation, Complete (110 volt)
4	790292	Decal, Laser Radiation
*	790305	Decal, Avoid Exposure!
5	797725	Filter Assembly
6	794024	Breaker, 15 amp (110 volt system)
7	**	Computer
8	794022	Breaker, 5 amp
9	**	Printer
10	M788480	NA Body Scanner Package
10a	M788481	CE Body Scanner Package
10b	788353	CSA Body Scanner Package
11	788032	NA Body Scanner Cable
11a	788007	CE Body Scanner Cable
12	788015	Wrist Pad
13	799449	NA Power Supply Cable (110 volt)
13a	798499	CE Power Supply Cable (220 volt)
14	788289	Nylon Hinges (pair)
15	788067	RJ-45 Network Jack Ass'y
16	794469	Scanner Lock Ring
17	792024	Target Weight Ass'y

**Workstation
(Back Panel)**



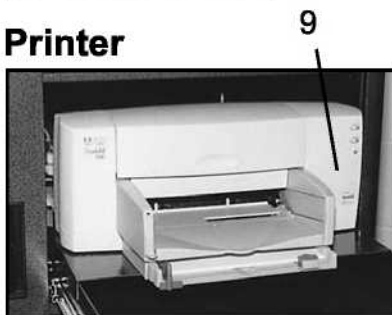
Computer



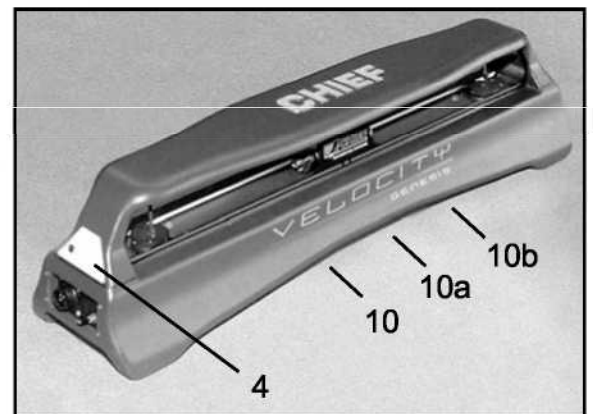
* Not shown in parts section.

** Contact Chief Automotive Systems, Inc. for current model(s) available. Note brand name and model number of existing equipment when making inquiry.
NOTE: Decals available in some foreign languages.
Order by description.

Printer

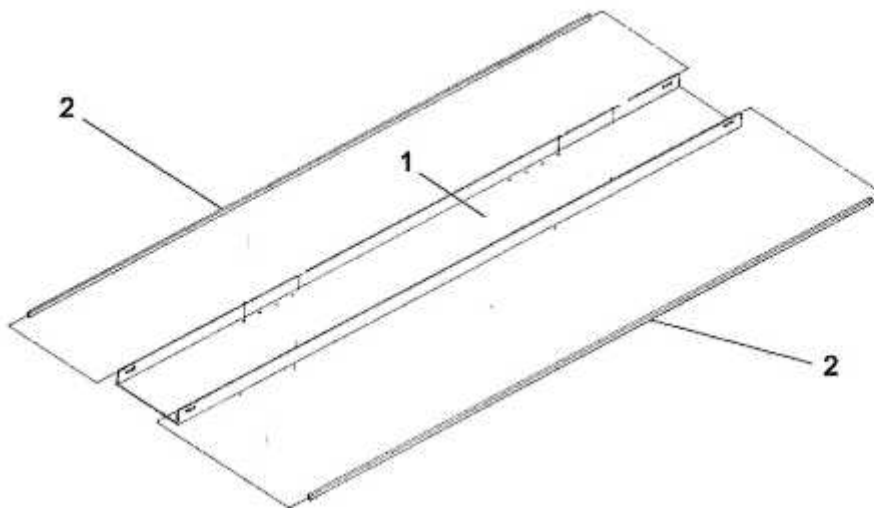


Body Scanner



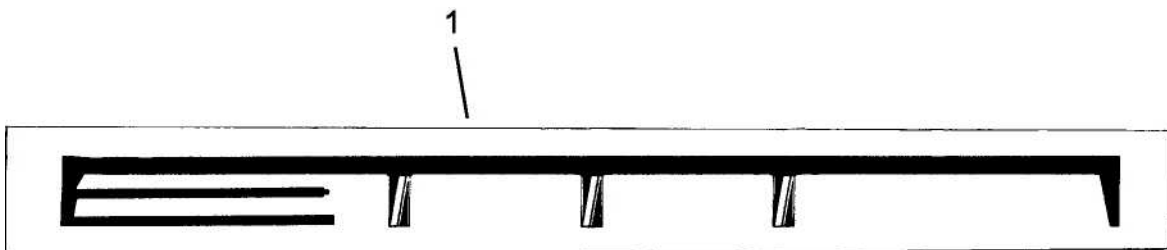
Ref.	Part No.	Description
	788078	Tray, Body Scanner (complete)
1	792212	Tray, Body Scanner
2	795624	Trim, 1/16" wide, raw, R100 B3 x 1/16

Body Scanner Tray

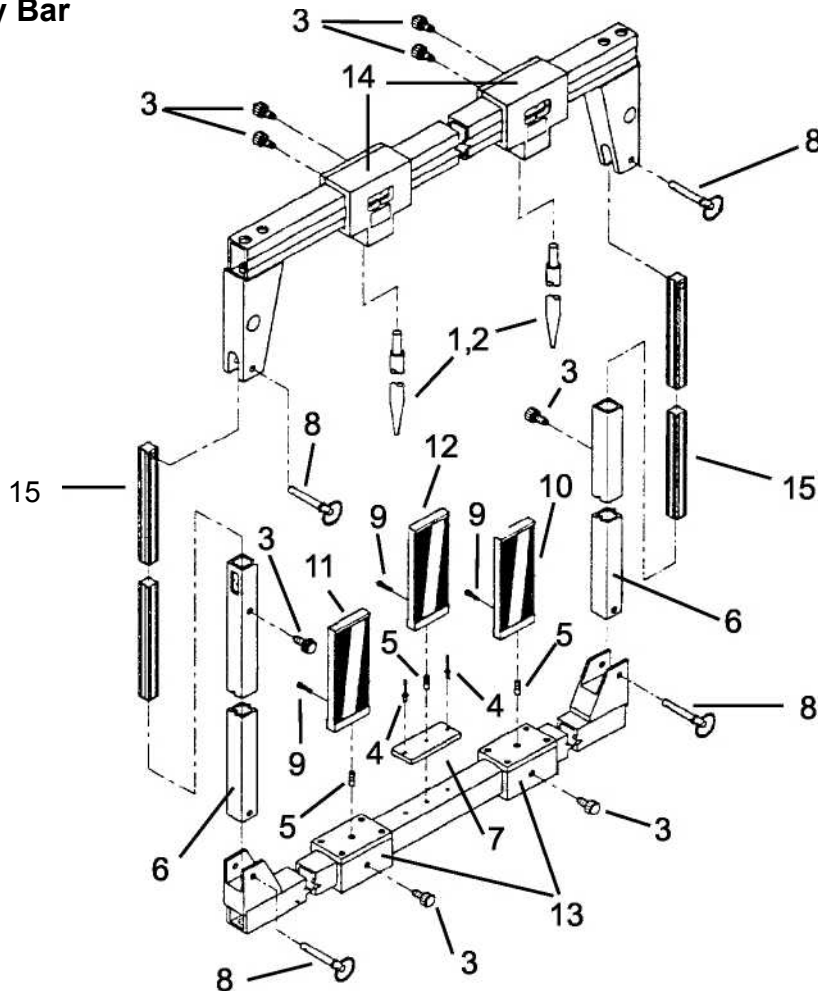


Storage Board

REF.	.PART NO	DESCRIPTION
	799158	Board Assembly, Wall Storage
	629407	Hanger, Long
	621468	Nut, Propeller Tee, 1/4-20, Pl.
	697132	Fastener Package, Qty 6
1	790073	Silk Screen Board



Upper Body Bar



Ref.	Part No.	Description
	799123	Upper Body Bar Assembly (Complete Bar Ass'y Only)
1	620947	Pointer, 102mm
2	620955	Pointer, 178mm
3	621835	Thumb Screw, Padded, 1/4-20 x 1/2"
4	790679	Pop Rivet, 1/8", Multi-Grip, AD-4345-BS
5	790866/ 790867	Stud, Target Holder, Upper Body Bar W/Set screw
*	791922	Decal, #43, Target Back
*	791930	Decal, #44, Target Back
6	792183	Housing, Outer, Scale Assembly
7	792714	Mount, Center Target, Upper Body Bar

* Not Shown

Ref.	Part No.	Description
8	792781	Pin, Upper Body Bar
9	796096	Screw, 4-40 x 1/2" Lg., Blk.
10	788143	Target Assembly, 100mm, No. 43, Left
11	788144	Target Assembly, 100mm, No. 44, Right
12	788145	Target Assembly, 100mm, No. 45, Center
13	799552	Holder Assembly, Target, U.B.B. Hard Coated
14	799560	Pointer Holder Assembly, Hard Coated
15	799633	Bar Tape Assembly, Vertical Bar (2)
*	797787	Extended Bar Tape Assembly, Vertical Bar (2)

NOTE: Items 1, 2, 3, 4, 11, 12, 13, and 14 are not included in 799123. Shown for clarity.

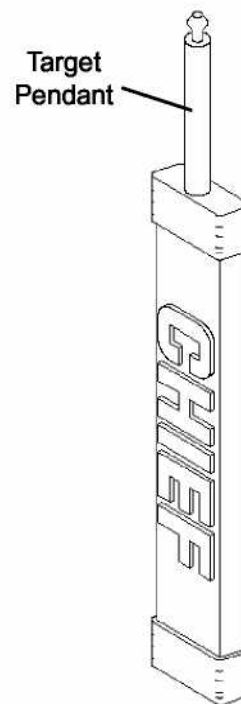
NOTE: Upper Body Support - 787980

Target Assemblies - Nos. 1 - 45

Target	Target Ass'y Part No.	Target Body Length (mm)	Stem Only Part No.	Stem Length (mm)	Cap No.	Part No.
1	M789001	155	788260	12	Bottom Cap # 1	M788301
2	M789002	155	788260	12	Bottom Cap # 2	M788302
3	M789003	155	788260	12	Bottom Cap # 3	M788303
4	M789004	155	788260	12	Bottom Cap # 4	M788304
5	M789005	170	788261	20	Bottom Cap # 5	M788305
6	M789006	170	788261	20	Bottom Cap # 6	M788306
7	M789007	170	788261	20	Bottom Cap # 7	M788307
8	M789008	170	788261	20	Bottom Cap # 8	M788308
9	M789009	170	788262	40	Bottom Cap # 9	M788309
10	M789010	170	788262	40	Bottom Cap # 10	M788310
11	M789011	170	788262	40	Bottom Cap # 11	M788311
12	M789012	170	788262	40	Bottom Cap # 12	M788312
13	M789013	170	788263	80	Bottom Cap # 13	M788313
14	M789014	170	788263	80	Bottom Cap # 14	M788314
15	M789015	170	788263	80	Bottom Cap # 15	M788315
16	M789016	170	788263	80	Bottom Cap # 16	M788316
17	M789017	170	788264	120	Bottom Cap # 17	M788317
18	M789018	170	788264	120	Bottom Cap # 18	M788318
19	M789019	170	788264	120	Bottom Cap # 19	M788319
20	M789020	170	788264	120	Bottom Cap # 20	M788320
21	M789021	170	788265	160	Bottom Cap # 21	M788321
22	M789022	170	788265	160	Bottom Cap # 22	M788322
23	M789023	170	788266	200	Bottom Cap # 23	M788323
24	M789024	170	788266	200	Bottom Cap # 24	M788324
25	M789025	170	788267	240	Bottom Cap # 25	M788325
26	M789026	170	788267	240	Bottom Cap # 26	M788326
27	M789027	170	788268	280	Bottom Cap # 27	M788327
28	M789028	170	788268	280	Bottom Cap # 28	M788328
29	M789029	170	788269	320	Bottom Cap # 29	M788329
30	M789030	170	788269	320	Bottom Cap # 30	M788330
31	M789031	170	788269	320	Bottom Cap # 31	M788331
32	M789032	170	788269	320	Bottom Cap # 32	M788332
33	M789033	170	788270	360	Bottom Cap # 33	M788333
34	M789034	170	788270	360	Bottom Cap # 34	M788334
35	M789035	170	788270	360	Bottom Cap # 35	M788335
36	M789036	170	788270	360	Bottom Cap # 36	M788336
37	M789037	170	788271	410	Bottom Cap # 37	M788337
38	M789038	170	788271	410	Bottom Cap # 38	M788338
39	M789039	170	788272	460	Bottom Cap # 39	M788339
40	M789040	170	788272	460	Bottom Cap # 40	M788340
41	M789041	75	788261	20	Bottom Cap # 41	M788341
42	M789042	75	788261	20	Bottom Cap # 42	M788342
43	M789043	120	N/A	N/A		
44	M789044	120	N/A	N/A		
45	M789045	120	N/A	N/A		

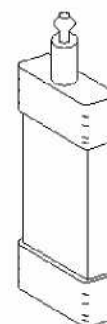
8-32 x .75 lg set screw for Pendant Mount 796221
8-32 x .50 lg set screw for Pendant Mount 796222

Target Nos. 1-40

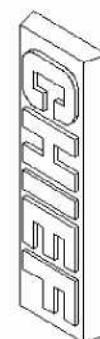


Target Nos. 41 - 45

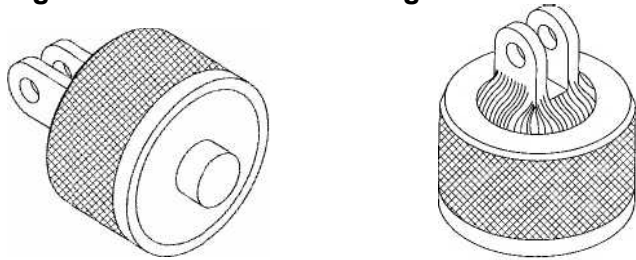
Nos. 41 - 42



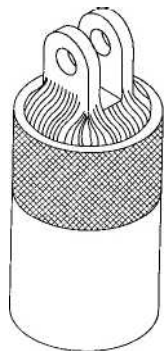
Nos. 43 - 45



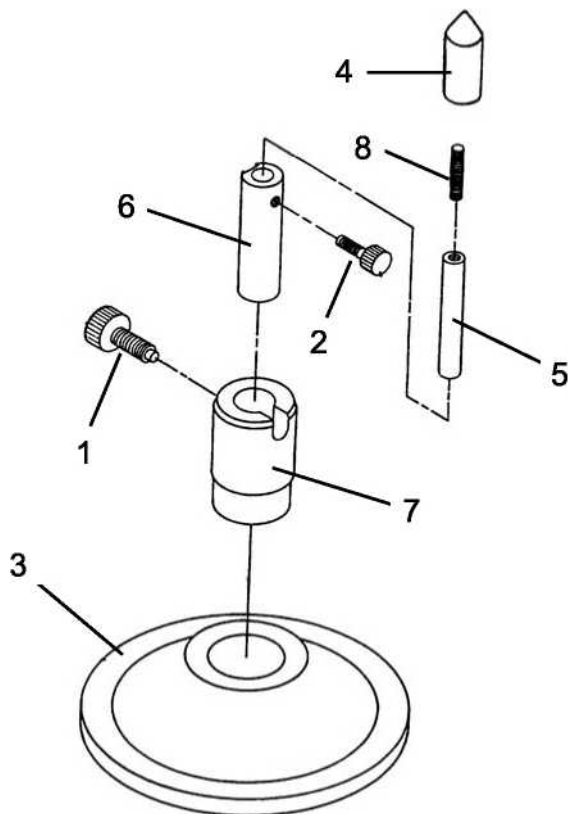
Magnetic Hole Attachment Magnetic Bolt Attachment



Threaded Bolt Attachment



Target Base

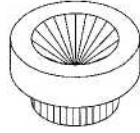


Ref.	Part No.	Description
		Magnetic Hole Attachment
	791980P	Hole Attachment, Magnetic, 10mm
	791981P	Hole Attachment, Magnetic, 11mm
	791982P	Hole Attachment, Magnetic, 12mm
	791983P	Hole Attachment, Magnetic, 13mm
	791984P	Hole Attachment, Magnetic, 14mm
	791985P	Hole Attachment, Magnetic, 15mm
	791986P	Hole Attachment, Magnetic, 16mm
	791987P	Hole Attachment, Magnetic, 17mm
	791988P	Hole Attachment, Magnetic, 18mm
	791989P	Hole Attachment, Magnetic, 19mm
	791991P	Hole Attachment, Magnetic, 20mm
	791992P	Hole Attachment, Magnetic, 22mm
	791993P	Hole Attachment, Magnetic, 24mm
	791994P	Hole Attachment, Magnetic, 25mm
		Magnetic Bolt Attachment
	780100	Bolt Attachment, Magnetic, 10mm
	780101	Bolt Attachment, Magnetic, 13mm
	780102	Bolt Attachment, Magnetic, 14mm
	780103	Bolt Attachment, Magnetic, 15mm
	780104	Bolt Attachment, Magnetic, 16mm
	780105	Bolt Attachment, Magnetic, 17mm
	780106	Bolt Attachment, Magnetic, 18mm
	780107	Bolt Attachment, Magnetic, 19mm
	780108	Bolt Attachment, Magnetic, 21mm
	780109	Bolt Attachment, Magnetic, 24mm
		Threaded Bolt Attachment
	780112	Bolt Attachment, Threaded, 13mm
	780113	Bolt Attachment, Threaded, 14mm
	780114	Bolt Attachment, Threaded, 15mm
	780115	Bolt Attachment, Threaded, 18mm
	780116	Bolt Attachment, Threaded, 21mm
	780117	Bolt Attachment, Threaded, 24mm
	799060	Target Base (complete)
1	621835	Thumb Screw, Padded, 1/4-20NC x 1/2
2	632227	Screw, 6-32 x 1/2, SHCS
3	635612	Base
4	790209	Point, 25mm
5	790217	Extension, Inner, 6mm x 50mm
6	790225	Extension, Center, 13mm x 50mm
7	790233	Cylinder, Outer, 25mm x 45mm
8	796221	Set Screw, Hex Socket, 8-32NC x .75 Lb.

Bottom Hole Clip

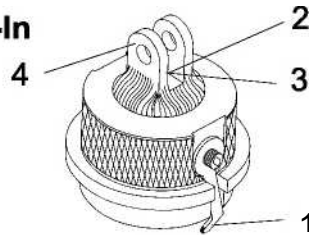


Bolt Hole Cap

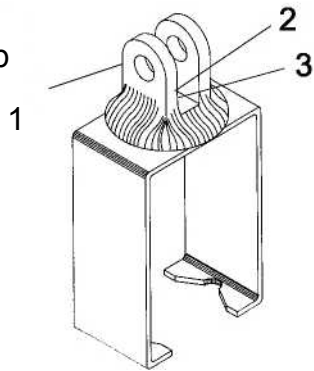


(same exterior appearance as bolt hole cap)

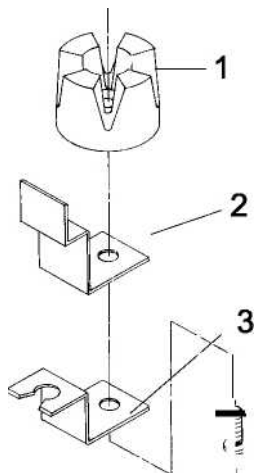
Aluminum Snap-In



Nylon Bolt Clip

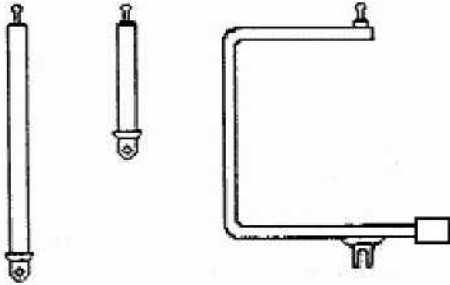


Magnetic Attachment
(Assembly Only)



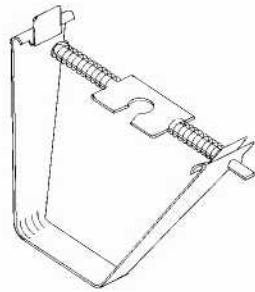
Ref.	Part No.	Description
		Bottom Hole Clip
	792271	Clip, Bottom Hole, 5-10mm
		Bolt Hole Cap
	780060	Cap, Bolt Hole, 5mm
	780061	Cap, Bolt Hole, 7mm
	780062	Cap, Bolt Hole, 9mm
	780063	Cap, Bolt Hole, 11mm
	780064	Cap, Bolt Hole, 13mm
	780065	Cap, Bolt Hole, 15mm
	780066	Cap, Bolt Hole, 17mm
		Stud Hole Cap
	792025	Cap, Stud/Hole 6mm
	792026	Cap, Stud/Hole 8mm
	792027	Cap, Stud/Hole 9mm
	792028	Cap, Stud/Hole 10mm
	792029	Cap, Stud/Hole 12mm
	792030	Cap, Stud/Hole 13mm
	792031	Cap, Stud/Hole 14mm
	792032	Cap, Stud/Hole 15mm
	792033	Cap, Stud/Hole 18mm
	799548	Aluminum Snap-In Attachment set
	780030	Attachment, Snap-In, 10mm
	780031	Attachment, Snap-In, 11mm
	780032	Attachment, Snap-In, 12mm
	780033	Attachment, Snap-In, 13mm
	780034	Attachment, Snap-In, 14mm
	780035	Attachment, Snap-In, 15mm
	780036	Attachment, Snap-In, 16mm
	780037	Attachment, Snap-In, 17mm
	780038	Attachment, Snap-In, 18mm
	780039	Attachment, Snap-In, 19mm
	780040	Attachment, Snap-In, 20mm
	780042	Attachment, Snap-In, 22mm
	780044	Attachment, Snap-In, 24mm
	780045	Attachment, Snap-In, 25mm
	780046	Attachment, Snap-In, 26mm
	780048	Attachment, Snap-In, 28mm
	780050	Attachment, Snap-In, 30mm
	780052	Attachment, Snap-In, 32mm
1	780000	Spring, Hole Plug (Rivet PN 632203)
2	780001	Shoulder Screw, .18 x .313 Long
3	780026	Set Screw, 2-56 x 3/8 Long
4	790280	Ball Socket, Target
		Nylon Bolt Clip
	780057	Bolt Clip, Nylon, 10-20mm
	780058	Bolt Clip, Nylon, 15-25mm
	780059	Bolt Clip, Nylon, 25-35mm
1	790277	Ball Socket, Target
2	780001	Shoulder Screw, .18 x .313 Long
3	780028	Cap Screw, 2-56 x 3/16 Lg.,BH
	798972	Magnetic Attachment (complete)

Target Extension Rod Assemblies (Optional)

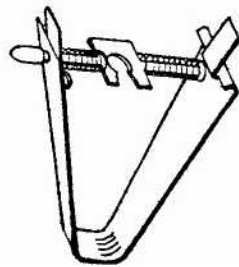


Hole Attachment - Metal

(Optional)

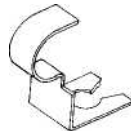


Extruded Hole Attachment - Metal

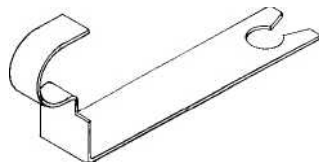


Part No.	Description
798440	Target Extension Rod Assemblies Set (Optional)
798431	Target Extension Rod Ass'y, 256mm, red
798412	Target Extension Rod Ass'y, 156mm, blue
798421	4C Extension, C - Shape
	Hole Attachment (Optional)
798980	Attachment, Hole, 9 - 25mm (Yellow)
798999	Attachment, Hole, 20 - 45mm (Green)
	Extruded Hole Attachment
799019	Att., Extruded Hole, 9 - 25mm (Orange)
799027	Att., Extruded Hole, 20 - 45mm (White)
	Side Hole Clip
790188	Clip, Side Hole, 23mm
790196	Clip, Side Hole, 35mm
	Side Hole Clip, Extended
790330	Clip, Side Hole, Extended, 23 x 50mm
790372	Clip, Side Hole, Extended, 35 x 50mm

Side Hole Clip - Metal



Extended Side Hole Clip - Metal





P.O. Box 1368
Grand Island, Nebraska 68802-1368
Phone: 308-384-9747
Fax: 308-384-8966

www.chiefautomotive.com

Chief reserves the right to alter product specifications and/or package components without notice.