

# Portal Measuring System

**PARTS MANUAL**





## PARTS INFORMATION

If it becomes necessary to order replacement parts or accessories for your Portal Measuring System, or contact a service representative, call the Chief Automotive Technologies, Inc. 24-hour toll-free telephone number (800-445-9262). If located outside the United States, contact an authorized Chief Automotive Technologies, Inc. representative.

When contacting Chief Automotive Technologies, Inc. by telephone or mail, provide the following information: name, name of shop, shop telephone number, shop address, a description of the part and the part number, if available. In addition, note the method of payment and shipping charges.

### **CHIEF'S LIMITED ONE-YEAR WARRANTY & LIABILITY**

Chief Automotive Technologies, Inc. warrants for one year from date of installation and/or purchase any of its products which do not perform satisfactorily due to defect caused by faulty material or workmanship. Chief's obligation under this warranty is limited to the repair or replacement of products which are defective and which have not been misused, carelessly handled, or defaced by repair or repairs made or attempted by others.

**CHIEF AUTOMOTIVE TECHNOLOGIES, INC. DOES NOT ASSUME RESPONSIBILITY FOR ANY DEATH, INJURY OR PROPERTY DAMAGE RESULTING FROM THE OPERATOR'S NEGLIGENCE OR MISUSE OF THIS PRODUCT OR ITS ATTACHMENTS. CHIEF MAKES NO WRITTEN, EXPRESS OR IMPLIED WARRANTY WHATSOEVER OF MERCHANTABILITY OR FITNESS FOR A PARTICULAR PURPOSE OR OTHERWISE REGARDING THE EQUIPMENT OR ANY PART OF THE PRODUCT OTHER THAN THE LIMITED ONE-YEAR WARRANTY STATED ABOVE.**

Returned merchandise requires a "RETURNED GOODS AUTHORIZATION NUMBER" on the package. Authorization numbers can be obtained by calling or writing the Customer Service Department, Chief Automotive Systems, Inc. No returned merchandise will be accepted without an authorization number. All returned merchandise must be shipped freight prepaid (and may be subject to a handling and restocking charge) to:

Chief Automotive Technologies, Inc.  
Attn: Returned Goods Dept.  
1924 E. Fourth St.  
P.O. Box 1368  
Grand Island, Ne. 68802  
308-384-9747

Or

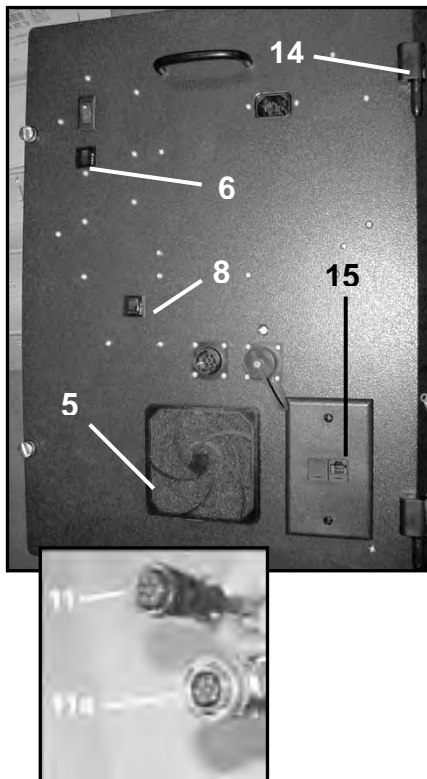
Your Authorized  
Chief Automotive Systems, Inc.  
Representative

**Workstation**



REF.	PART NO.	DESCRIPTION
1	**	Monitor, LCD
2	**	Keyboard, enhanced
3	788655	NA, CSA Workstation, Complete (110 volt)
3a	788560	CE Workstation, Complete (220 volt)
4	790292	Decal, Laser Radiation
*	790305	Decal, Avoid Exposure!
5	797725	Filter Assembly
6	794024	Breaker, 15 amp (110 volt system)
7	**	Computer
8	794022	Breaker, 5 amp
9	**	Printer
10	M788480	NA Body Scanner Package
10a	M788481	CE Body Scanner Package
10b	788353	CSA Body Scanner Package
11	788032	NA Body Scanner Cable
11a	788007	CE Body Scanner Cable
12	788015	Wrist Pad
13	788588P	Power Supply Cable (100-240 volt)
14	788289	Nylon Hinges (pair)
15	788067	RJ-45 Network Jack Ass'y
16	794469	Scanner Lock Ring
17	792024	Target Weight Ass'y

**Workstation  
(Back Panel)**



**Computer**



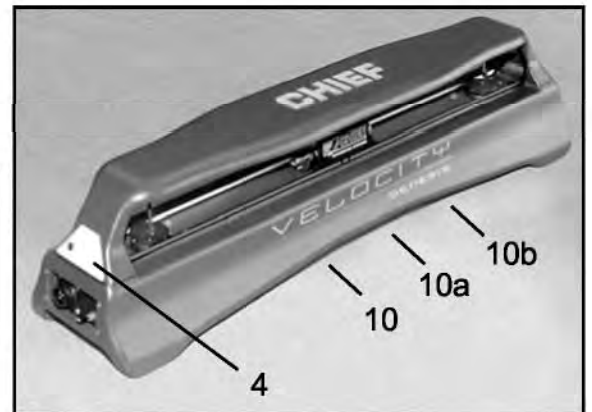
\* Not shown in parts section.

\*\* Contact Chief Automotive Technologies, Inc. for current model(s) available. Note brand name and model number of existing equipment when making inquiry.  
**NOTE:** Decals available in some foreign languages. Order by description.

**Printer**

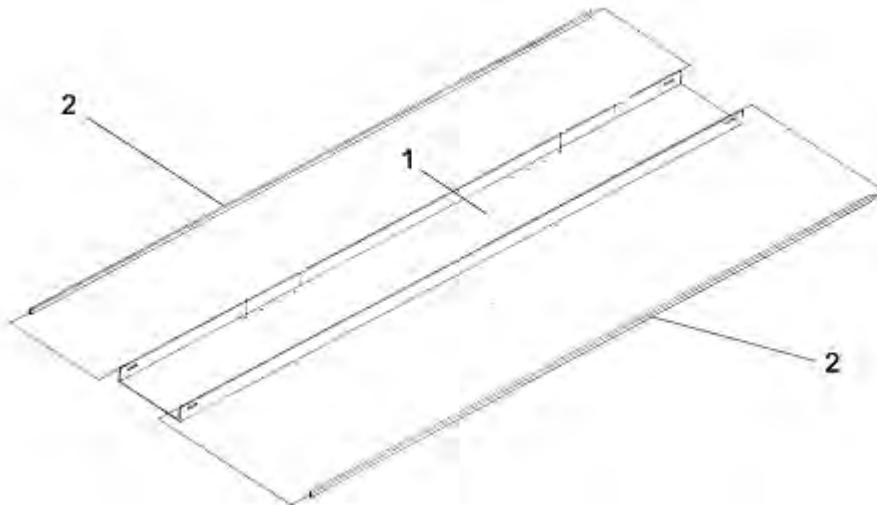


**Body Scanner**



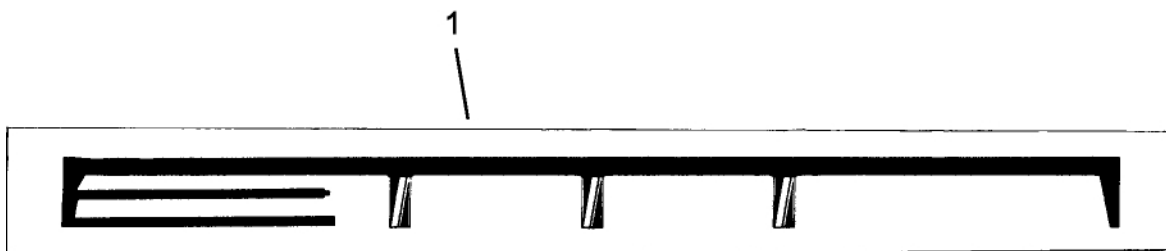
Ref.	Part No.	Description
	<b>788078</b>	<b>Tray, Body Scanner (complete)</b>
1	792212	Tray, Body Scanner
2	795624	Trim, 1/16" wide, raw, R100 B3 x 1/16

**Body Scanner Tray**

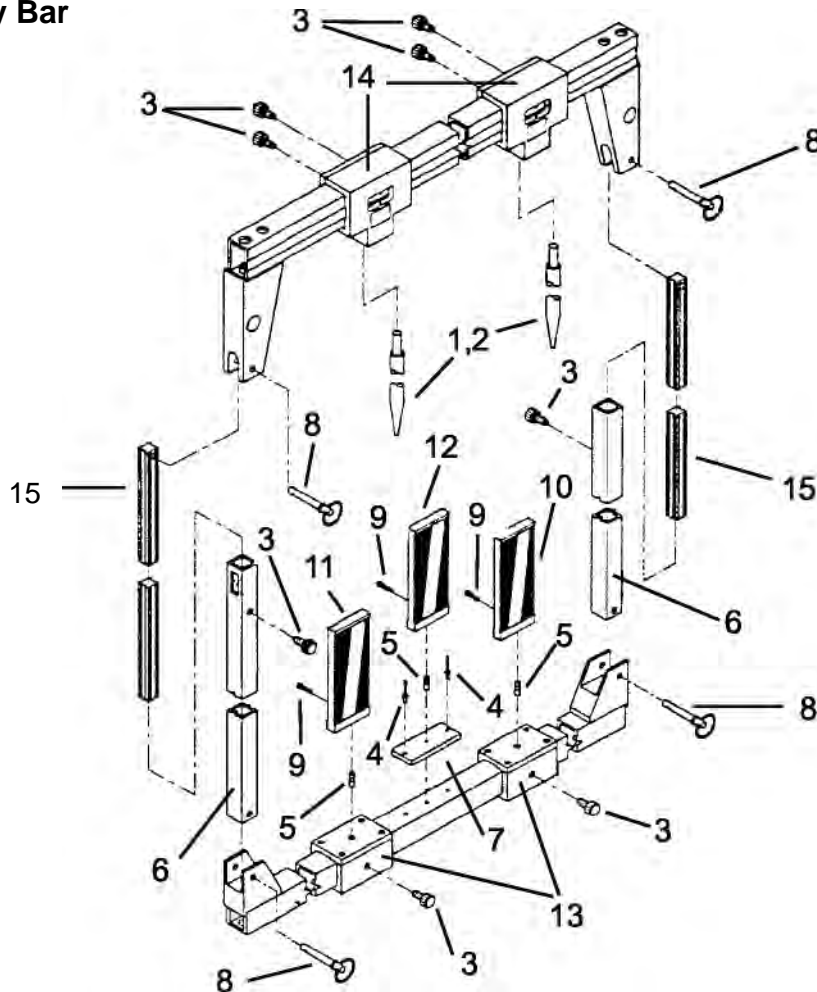


**Storage Board**

REF.	.PART NO	DESCRIPTION
	799158	Board Assembly, Wall
		Storage
	629407	Hanger, Long
	621468	Nut, Propeller Tee, 1/4-20, Pl.
	697132	Fastener Package, Qty 6
1	790073	Silk Screen Board



**Upper Body Bar**



Ref.	Part No.	Description
	799123	<b>Upper Body Bar Assembly (Complete Bar Ass'y Only)</b>
1	620947	Pointer, 102mm
2	620955	Pointer, 178mm
3	621835	Thumb Screw, Padded, 1/4-20 x 1/2"
4	790679	Pop Rivet, 1/8", Multi-Grip, AD-4345-BS
5	790866/ 790867	Stud, Target Holder, Upper Body Bar W/Set screw
*	791922	Decal, #43, Target Back
*	791930	Decal, #44, Target Back
6	792183	Housing, Outer, Scale Assembly
7	792714	Mount, Center Target, Upper Body Bar

\* Not Shown

Ref.	Part No.	Description
8	792781	Pin, Upper Body Bar
9	796096	Screw, 4-40 x 1/2" Lg., Blk.
10	788143	Target Assembly, 100mm, No. 43, Left
11	788144	Target Assembly, 100mm, No. 44, Right
12	788145	Target Assembly, 100mm, No. 45, Center
13	799552	Holder Assembly, Target, U.B.B. Hard Coated
14	799560	Pointer Holder Assembly, Hard Coated
15	799633	Bar Tape Assembly, Vertical Bar (2)
*	797787	Extended Bar Tape Assembly, Vertical Bar (2)

**NOTE:** Items 1, 2, 3, 4, 11, 12, 13, and 14 are not included in 799123. Shown for clarity.

**NOTE:** Upper Body Support - 787980

**Target Assemblies - Nos. 1 - 45**

Tgt No.	Tgt Ass PN	Stem Only PN	Stem Length (mm)	Cap No. BOTTOM	Cap No. TOP
1	M789001	788260	12	M788301	M788801
2	M789002	788260	12	M788302	M788802
3	M789003	788260	12	M788303	M788303
4	M789004	788260	12	M788304	M788304
5	M789005	788261	20	M788305	M788305
6	M789006	788261	20	M788306	M788306
7	M789007	788261	20	M788307	M788307
8	M789008	788261	20	M788308	M788308
9	M789009	788262	40	M788309	M788309
10	M789010	788262	40	M788310	M788310
11	M789011	788262	40	M788311	M788311
12	M789012	788262	40	M788312	M788312
13	M789013	788263	80	M788313	M788313
14	M789014	788263	80	M788314	M788314
15	M789015	788263	80	M788315	M788315
16	M789016	788263	80	M788316	M788316
17	M789017	788264	120	M788317	M788317
18	M789018	788264	120	M788318	M788318
19	M789019	788264	120	M788319	M788319
20	M789020	788264	120	M788320	M788320
21	M789021	788265	160	M788321	M788321
22	M789022	788265	160	M788322	M788322
23	M789023	788266	200	M788323	M788323
24	M789024	788266	200	M788324	M788324
25	M789025	788267	240	M788325	M788325
26	M789026	788267	240	M788326	M788326
27	M789027	788268	280	M788327	M788327
28	M789028	788268	280	M788328	M7883
29	M789029	788269	320	M788329	M788303
30	M789030	788269	320	M788330	M788303
31	M789031	788269	320	M788331	M788303
32	M789032	788269	320	M788332	M788303
33	M789033	788270	360	M788333	M788303
34	M789034	788270	360	M788334	M788303
35	M789035	788270	360	M788335	M788303
36	M789036	788270	360	M788336	M788303
37	M789037	788271	410	M788337	M788303
38	M789038	788271	410	M788338	M788303
39	M789039	788272	460	M788339	M788303
40	M789040	788272	460	M788340	M788303
41	M789041	788261	20	M788341	M788303
42	M789042	788261	20	M788342	M788303
43	M789043				
44	M789044				
45	M789045				
8-32 x .75 lg set screw for Pendant Mount 796221					
8-32 x .50 lg set screw for Pendant Mount 796222					

**Target Nos. 1-40**

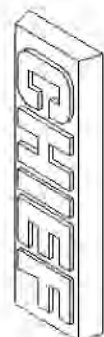


**Target Nos. 41 - 45**

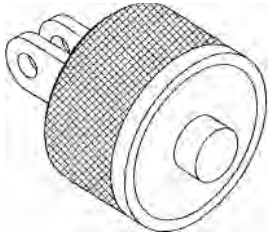
**Nos. 41 - 42**



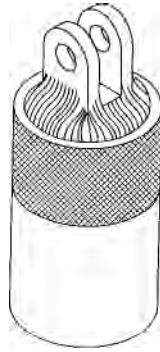
**Nos. 43 - 45**



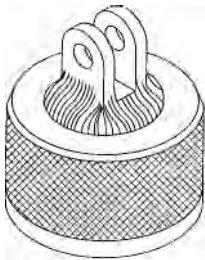
**Magnetic Hole Attachment**



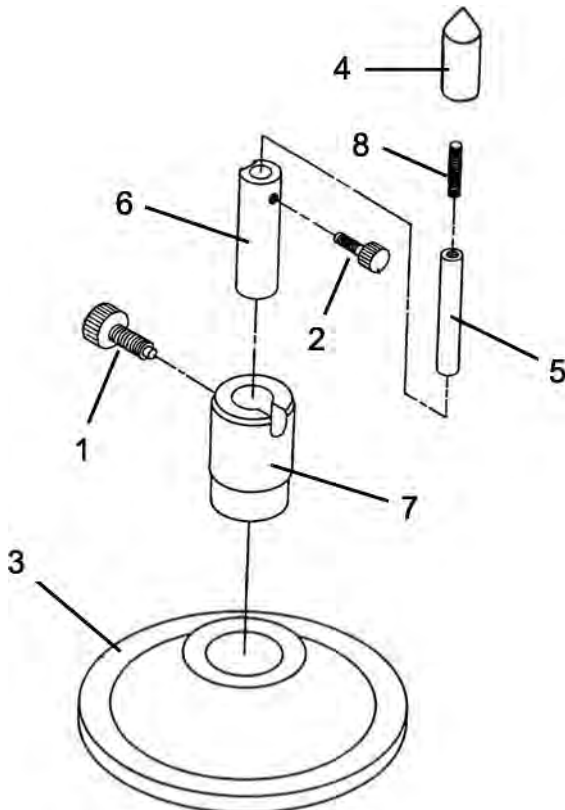
**Threaded Bolt Attachment**



**Magnetic Bolt Attachment**



**Target Base**



Ref.	Part No.	Description
		<b>Magnetic Hole Attachment</b>
	791980P	Hole Attachment, Magnetic, 10mm
	791981P	Hole Attachment, Magnetic, 11mm
	791982P	Hole Attachment, Magnetic, 12mm
	791983P	Hole Attachment, Magnetic, 13mm
	791984P	Hole Attachment, Magnetic, 14mm
	791985P	Hole Attachment, Magnetic, 15mm
	791986P	Hole Attachment, Magnetic, 16mm
	791987P	Hole Attachment, Magnetic, 17mm
	791988P	Hole Attachment, Magnetic, 18mm
	791989P	Hole Attachment, Magnetic, 19mm
	791991P	Hole Attachment, Magnetic, 20mm
	791992P	Hole Attachment, Magnetic, 22mm
	791993P	Hole Attachment, Magnetic, 24mm
	791994P	Hole Attachment, Magnetic, 25mm
		<b>Magnetic Bolt Attachment</b>
	780100	Bolt Attachment, Magnetic, 10mm
	780101	Bolt Attachment, Magnetic, 13mm
	780102	Bolt Attachment, Magnetic, 14mm
	780103	Bolt Attachment, Magnetic, 15mm
	780104	Bolt Attachment, Magnetic, 16mm
	780105	Bolt Attachment, Magnetic, 17mm
	780106	Bolt Attachment, Magnetic, 18mm
	780107	Bolt Attachment, Magnetic, 19mm
	780108	Bolt Attachment, Magnetic, 21mm
	780109	Bolt Attachment, Magnetic, 24mm
		<b>Threaded Bolt Attachment</b>
	780112	Bolt Attachment, Threaded, 13mm
	780113	Bolt Attachment, Threaded, 14mm
	780114	Bolt Attachment, Threaded, 15mm
	780115	Bolt Attachment, Threaded, 18mm
	780116	Bolt Attachment, Threaded, 21mm
	780117	Bolt Attachment, Threaded, 24mm
	<b>799060</b>	<b>Target Base (complete)</b>
1	621835	Thumb Screw, Padded, 1/4-20NC x 1/2
2	632227	Screw, 6-32 x 1/2, SHCS
3	635612	Base
4	790209	Point, 25mm
5	790217	Extension, Inner, 6mm x 50mm
6	790225	Extension, Center, 13mm x 50mm
7	790233	Cylinder, Outer, 25mm x 45mm
8	796221	Set Screw, Hex Socket, 8-32NC x .75 Lb.



**Bottom Hole Clip**

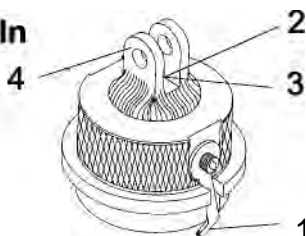


**Bolt Hole Cap**

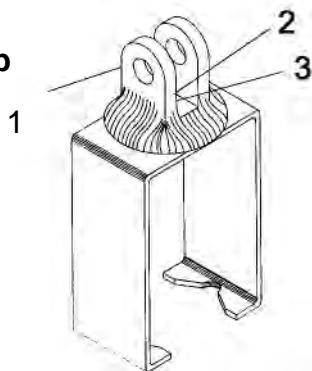


(same exterior appearance as bolt hole cap)

**Aluminum Snap-In**

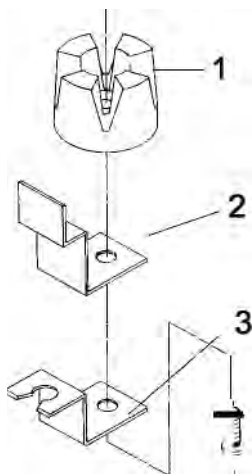


**Nylon Bolt Clip**



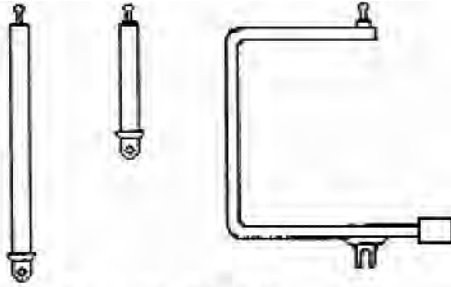
**Magnetic Attachment**

(Assembly Only)

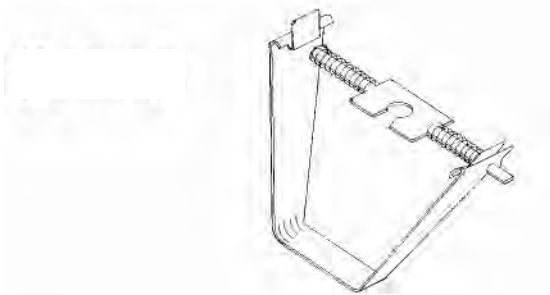


Ref.	Part No.	Description
		<b>Bottom Hole Clip</b>
	792271	Clip, Bottom Hole, 5-10mm
		<b>Bolt Hole Cap</b>
	780060	Cap, Bolt Hole, 5mm
	780061	Cap, Bolt Hole, 7mm
	780062	Cap, Bolt Hole, 9mm
	780063	Cap, Bolt Hole, 11mm
	780064	Cap, Bolt Hole, 13mm
	780065	Cap, Bolt Hole, 15mm
	780066	Cap, Bolt Hole, 17mm
		<b>Stud Hole Cap</b>
	792025	Cap, Stud/Hole 6mm
	792026	Cap, Stud/Hole 8mm
	792027	Cap, Stud/Hole 9mm
	792028	Cap, Stud/Hole 10mm
	792029	Cap, Stud/Hole 12mm
	792030	Cap, Stud/Hole 13mm
	792031	Cap, Stud/Hole 14mm
	792032	Cap, Stud/Hole 15mm
	792033	Cap, Stud/Hole 18mm
	<b>799548</b>	<b>Aluminum Snap-In Attachment set</b>
	780030	Attachment, Snap-In, 10mm
	780031	Attachment, Snap-In, 11mm
	780032	Attachment, Snap-In, 12mm
	780033	Attachment, Snap-In, 13mm
	780034	Attachment, Snap-In, 14mm
	780035	Attachment, Snap-In, 15mm
	780036	Attachment, Snap-In, 16mm
	780037	Attachment, Snap-In, 17mm
	780038	Attachment, Snap-In, 18mm
	780039	Attachment, Snap-In, 19mm
	780040	Attachment, Snap-In, 20mm
	780042	Attachment, Snap-In, 22mm
	780044	Attachment, Snap-In, 24mm
	780045	Attachment, Snap-In, 25mm
	780046	Attachment, Snap-In, 26mm
	780048	Attachment, Snap-In, 28mm
	780050	Attachment, Snap-In, 30mm
	780052	Attachment, Snap-In, 32mm
1	780000	Spring, Hole Plug (Rivet PN 632203)
2	780001	Shoulder Screw, .18 x .313 Long
3	780026	Set Screw, 2-56 x 3/8 Long
4	790280	Ball Socket, Target
		<b>Nylon Bolt Clip</b>
	780057	Bolt Clip, Nylon, 10-20mm
	780058	Bolt Clip, Nylon, 15-25mm
	780059	Bolt Clip, Nylon, 25-35mm
1	790277	Ball Socket, Target
2	780001	Shoulder Screw, .18 x .313 Long
3	780028	Cap Screw, 2-56 x 3/16 Lg.,BH
	<b>798972</b>	<b>Magnetic Attachment (complete)</b>

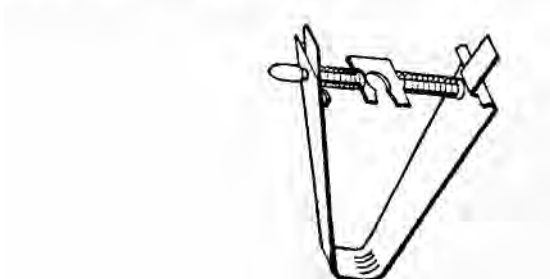
**Target Extension Rod Assemblies**



**Hole Attachment - Metal**



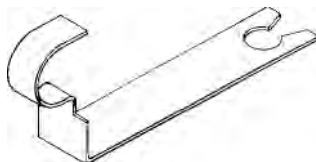
**Extruded Hole Attachment - Metal**



**Side Hole Clip - Metal**



**Extended Side Hole Clip - Metal**



Part No.	Description
<b>798440</b>	<b>Target Extension Rod Assemblies Set</b>
798431	Target Extension Rod Ass'y, 256mm, red
798412	Target Extension Rod Ass'y, 156mm, blue
798421	4C Extension, C - Shape
	<b>Hole Attachment</b>
798980	Attachment, Hole, 9 - 25mm (Yellow)
798999	Attachment, Hole, 20 - 45mm (Green)
	<b>Extruded Hole Attachment</b>
799019	Att., Extruded Hole, 9 - 25mm (Orange)
799027	Att., Extruded Hole, 20 - 45mm (White)
	<b>Side Hole Clip</b>
790188	Clip, Side Hole, 23mm
790196	Clip, Side Hole, 35mm
	<b>Side Hole Clip, Extended</b>
790330	Clip, Side Hole, Extended, 23 x 50mm
790372	Clip, Side Hole, Extended, 35 x 50mm





**PORTAL  
PARTS MANUAL**



**P.O. Box 1368  
Grand Island, Nebraska 68802-1368  
Phone: 308-384-9747  
Fax: 308-384-8966**

**[www.chiefautomotive.com](http://www.chiefautomotive.com)**

**Chief reserves the right to alter product specifications and/or  
package components without notice.**